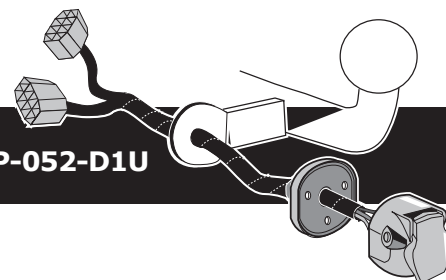




OPEL

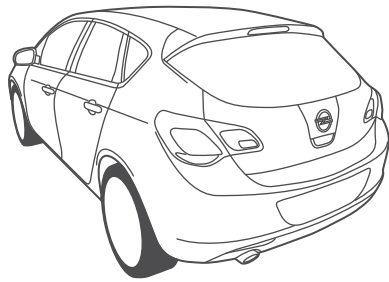
Astra J Hatchback	12/2009 >>
Astra J Station Wagon	12/2010 >>
Astra Station Wagon	2012 >>
Astra Sedan	2012 >>
Astra GTC	2011 >>
Corsa E	09/2014 >> 10/2019



Partnr.: OP-052-D1U

- Fitting instructions electric wiring kit tow bar with 13-P socket up to DIN/ISO Norm 11446.
- We would expressly point out that assembly not carried out properly by a competent installer will result in cancellation of any right to damage compensation, in particular those arising by virtue of the product liability act.
- Contents of these kits and their fitting manuals are subject to alteration without notice, please ensure that these instructions are read and fully understood before commencing installation.
- Do not overload circuits; the maximum loads per connection are detailed in this manual.
- Attention! Before Installation, please read this manual carefully and inform your customer to consult the vehicle owners manual to check for any vehicle modifications required before towing.
- In the event of functional problems, troubleshooting must be limited to about 0.5 hours, contact the technical support:
t.skinner@ecs-electronics.com / 07440 202 052.



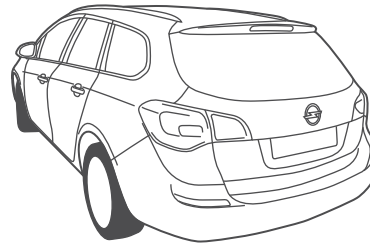


Astra HB

Pag. 4

-

Pag. 6

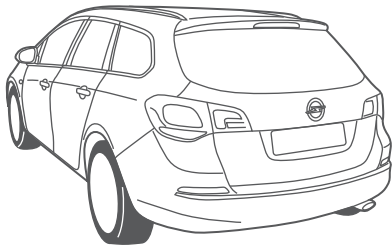


**Astra ST
-2012**

Pag. 7

-

Pag. 9

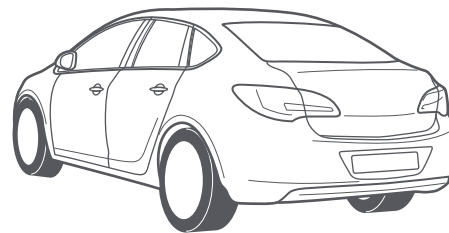


**Astra ST
2012-**

Pag. 10

-

Pag. 12

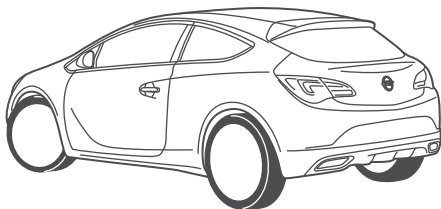


Astra SD

Pag. 13

-

Pag. 15

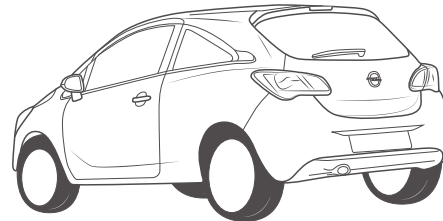


Astra GTC

Pag. 16

-

Pag. 17

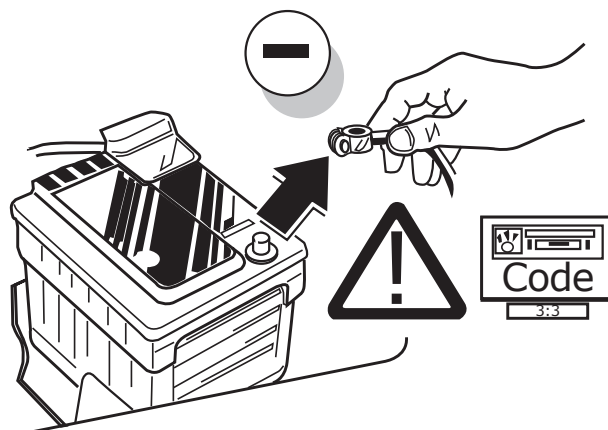


Corsa E

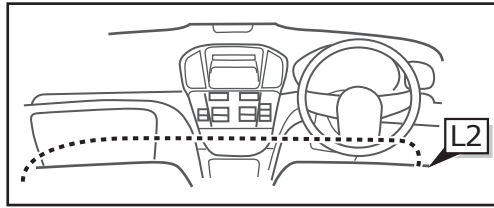
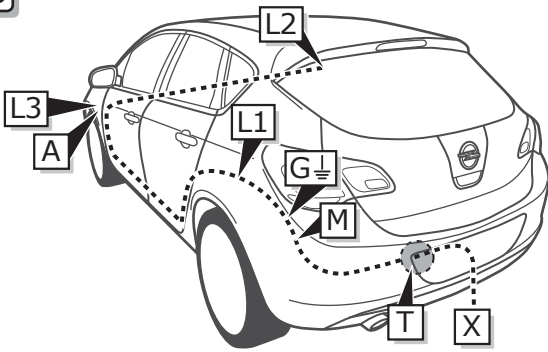
Pag. 18

-

Pag. 22



INFO



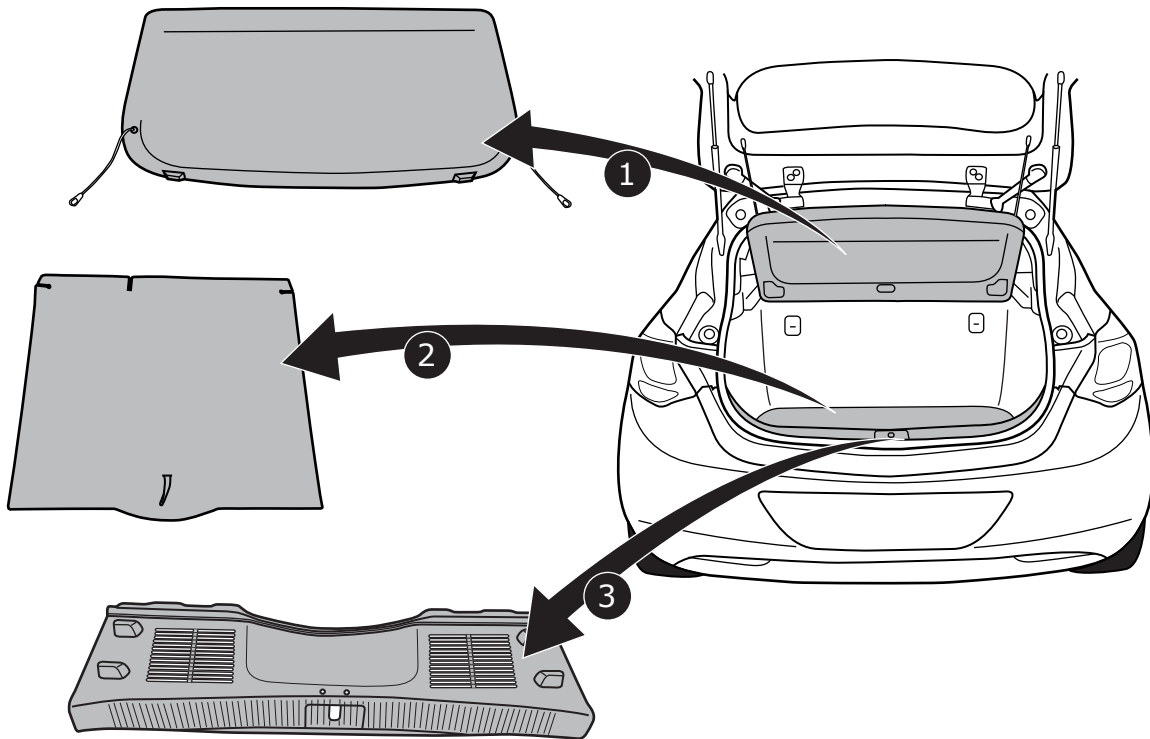
Astra HB

Pag. 4

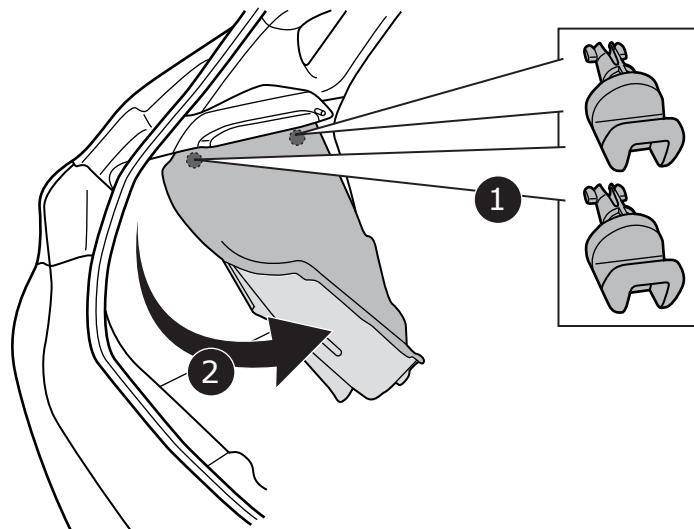
-

Pag. 6

1

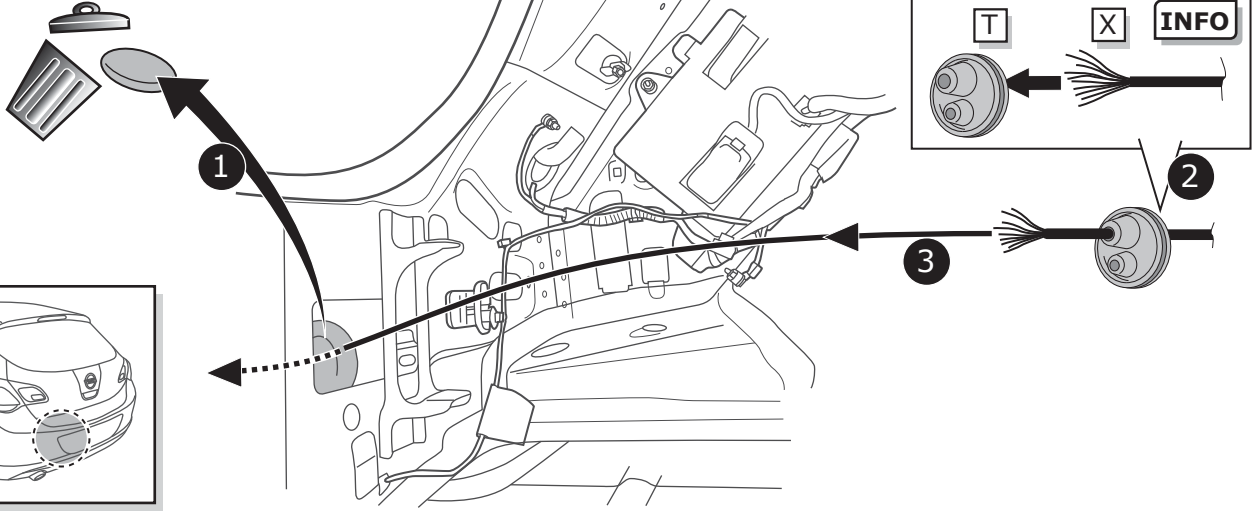
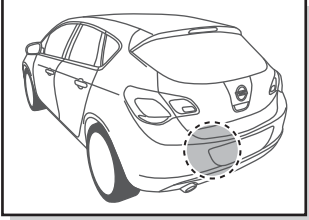


2

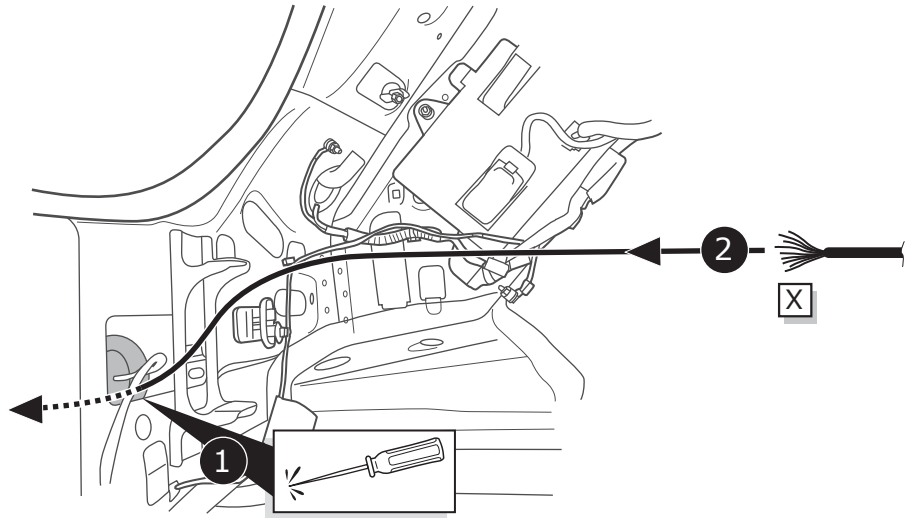
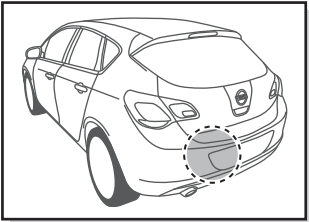


3

Option 1



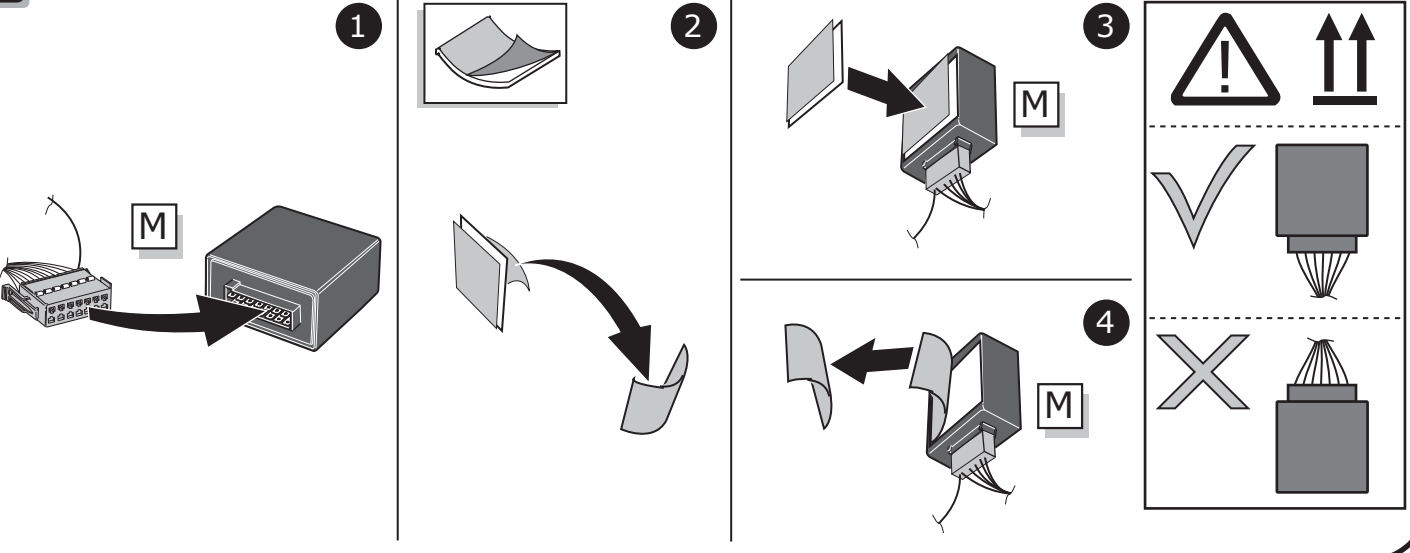
Option 2

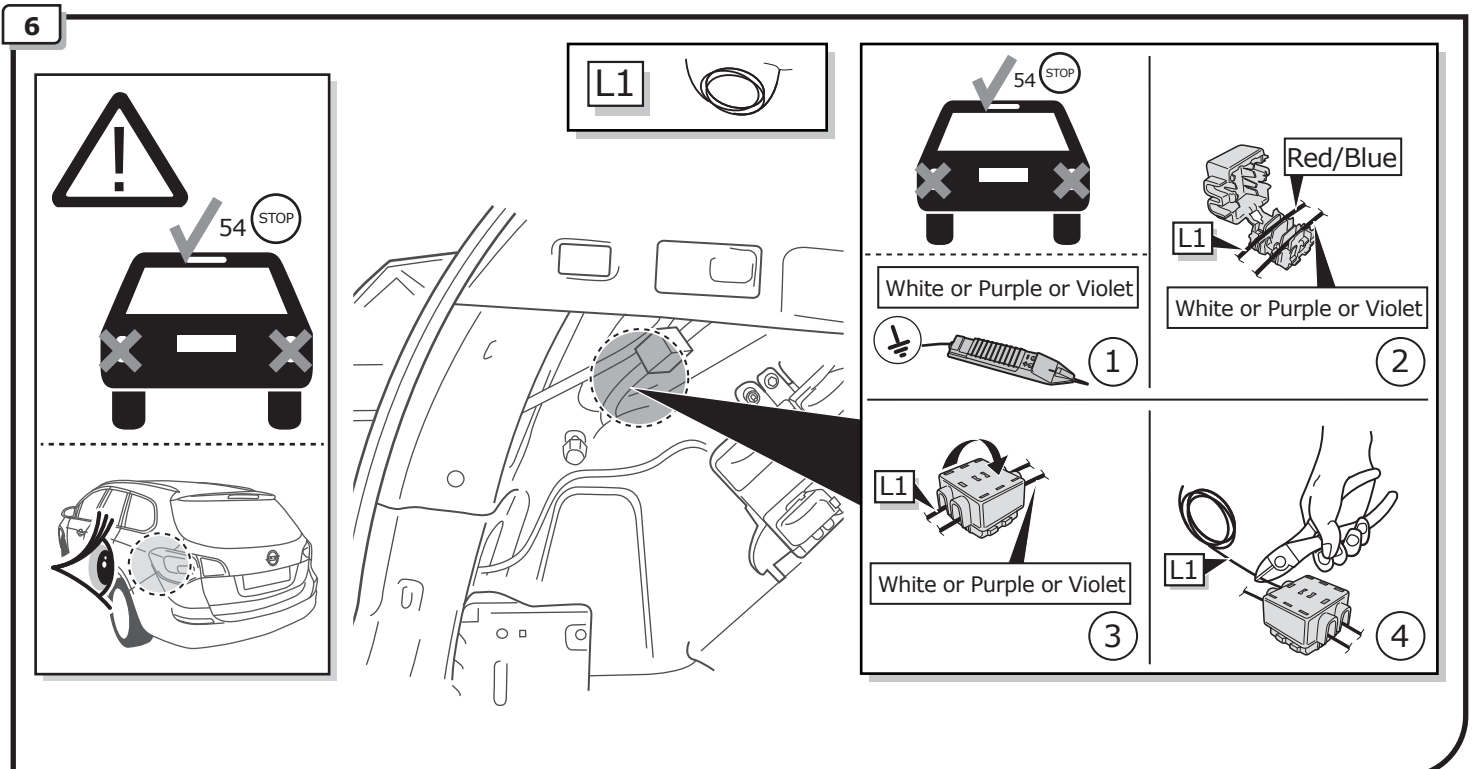
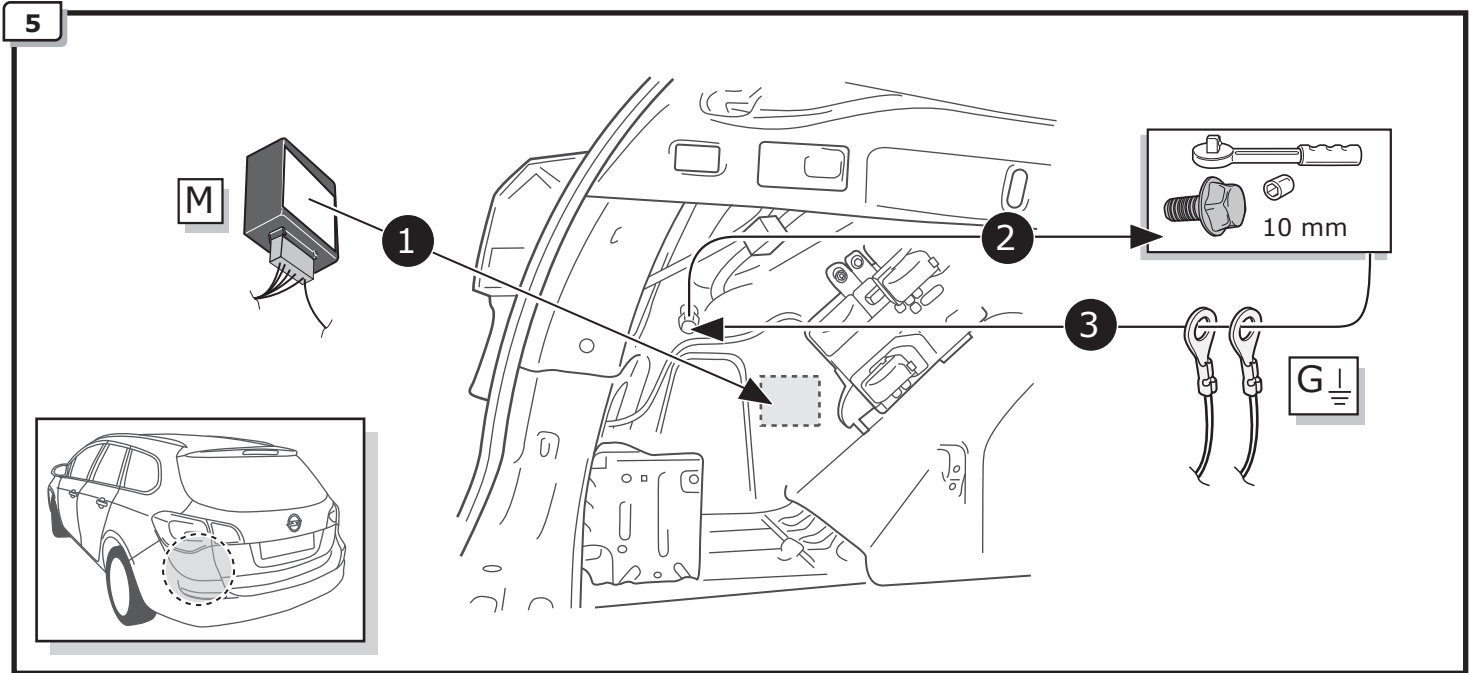
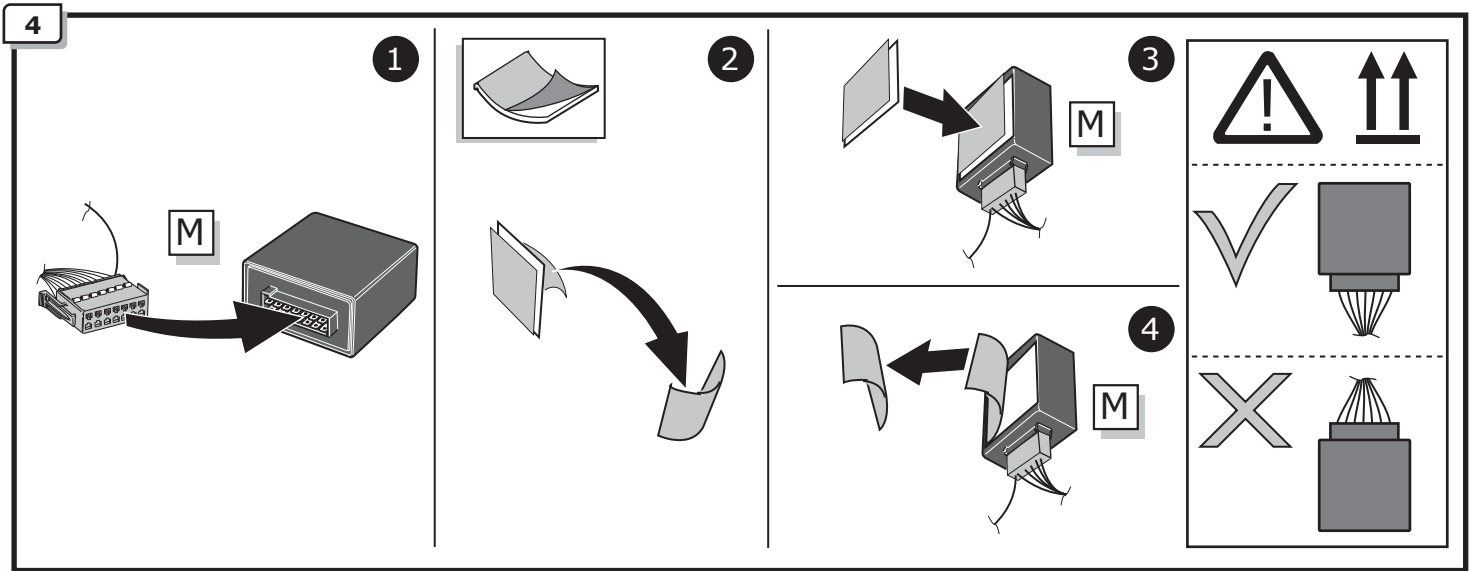


4

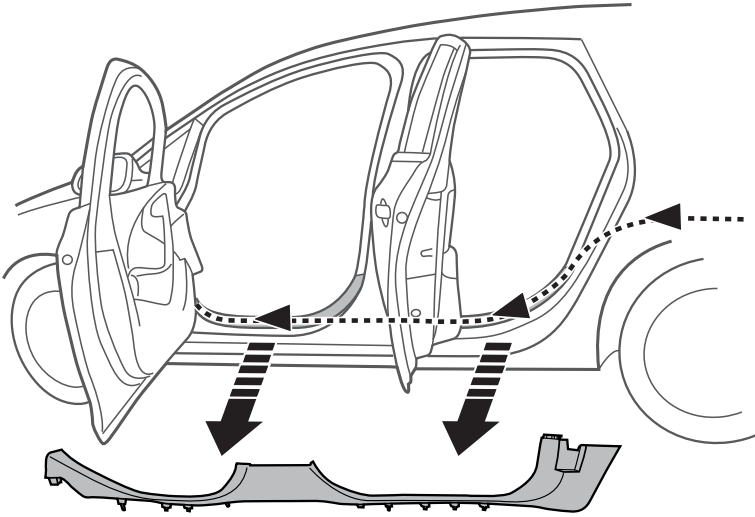


5



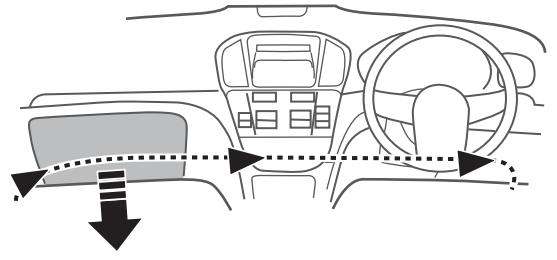


7



1

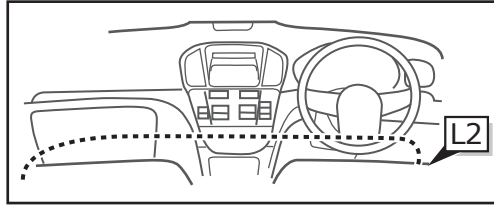
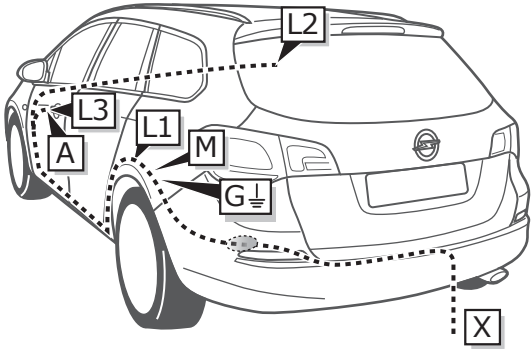
2



8



INFO

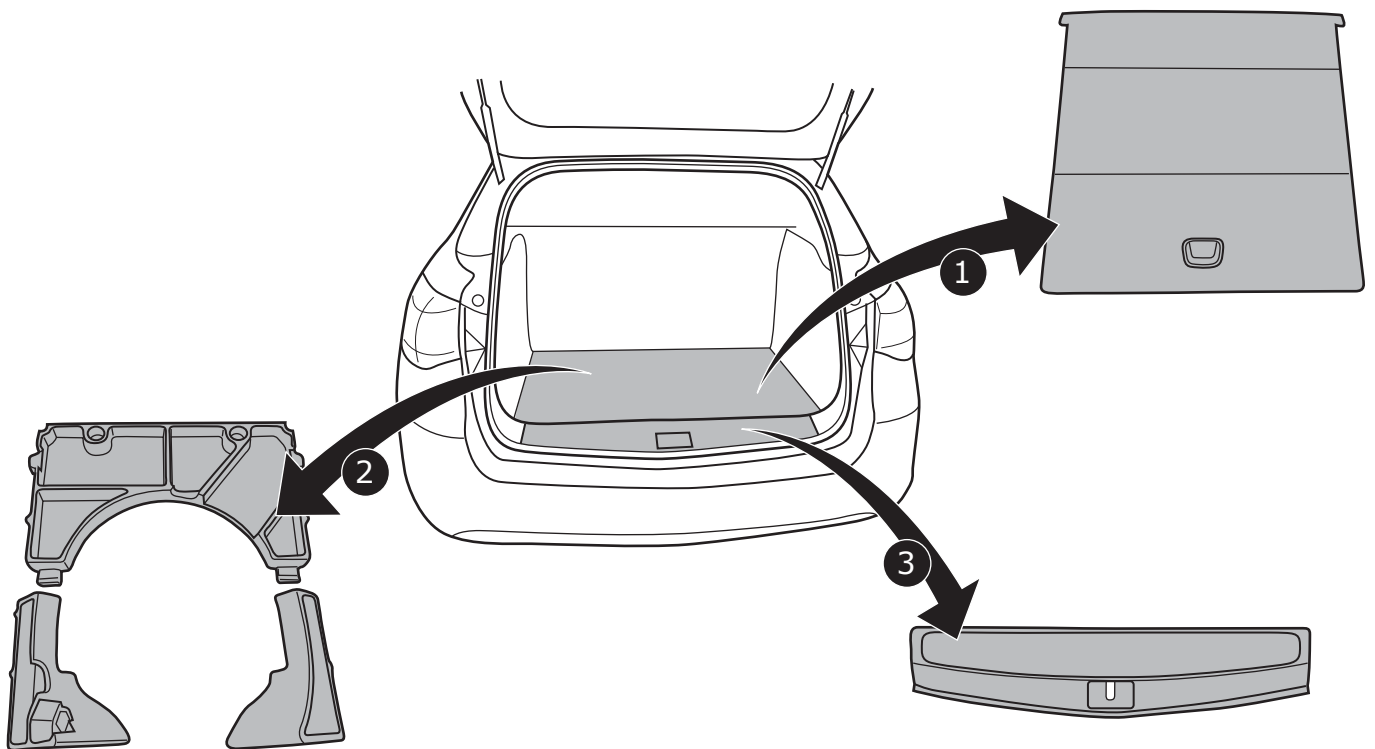


**Astra ST
2012-**

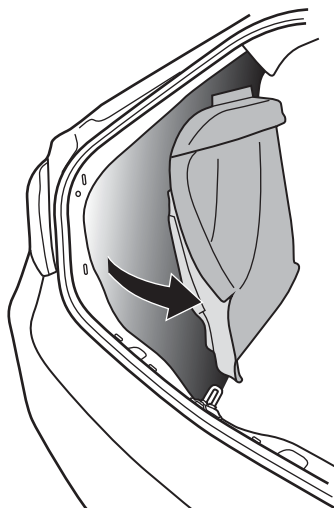
Pag. 10

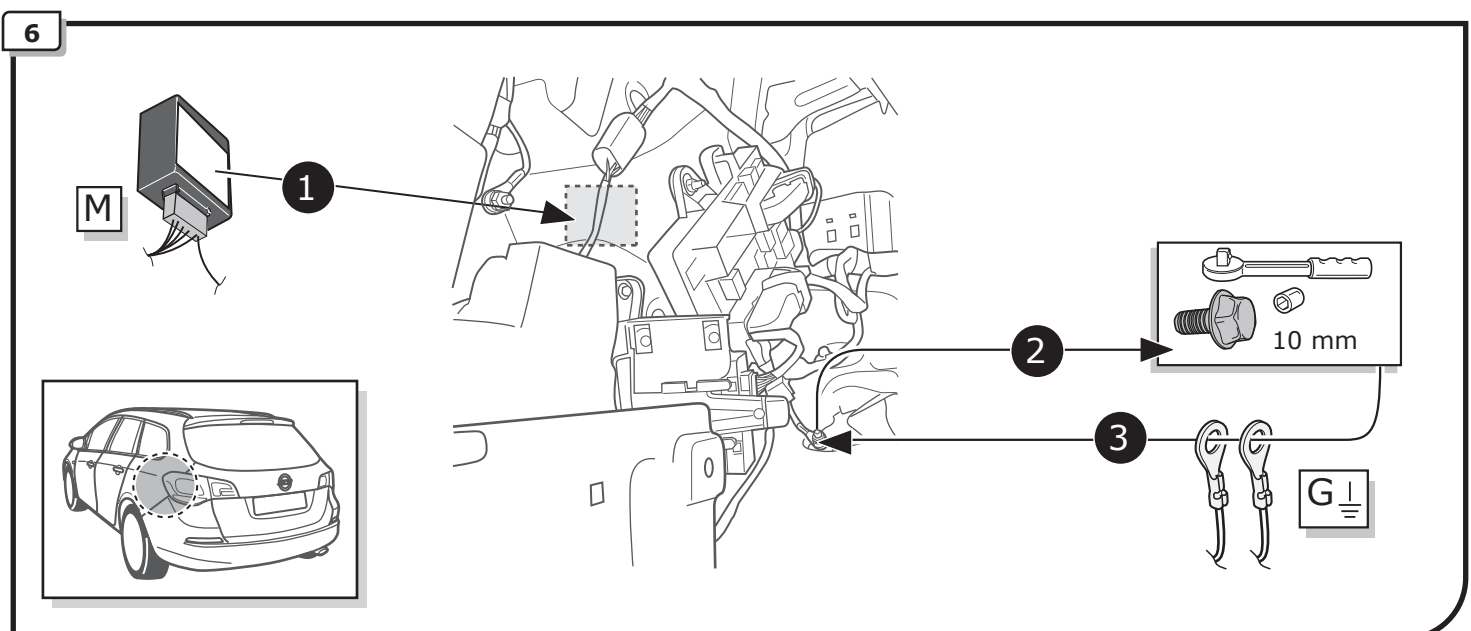
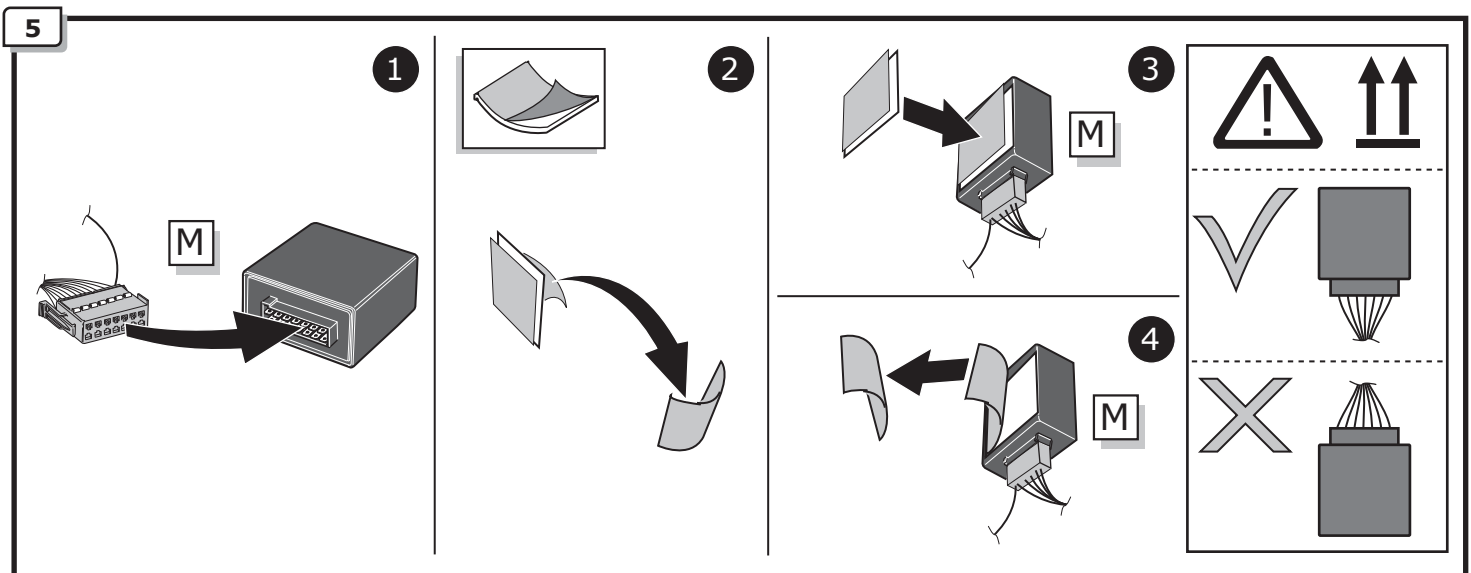
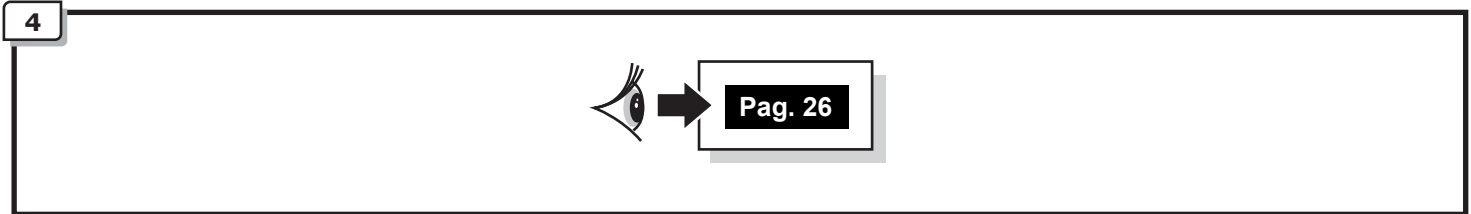
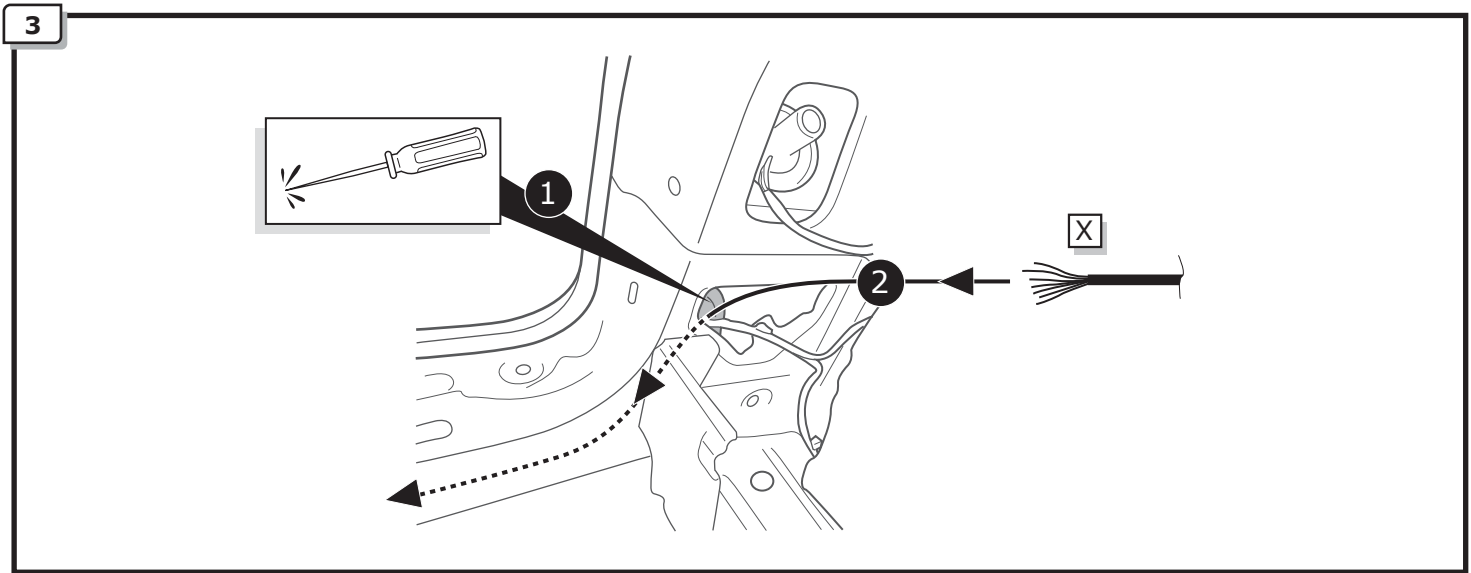
Pag. 12

1

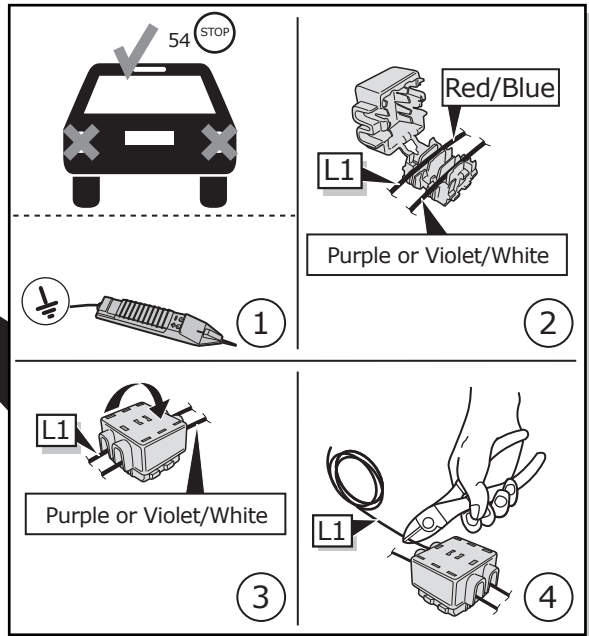
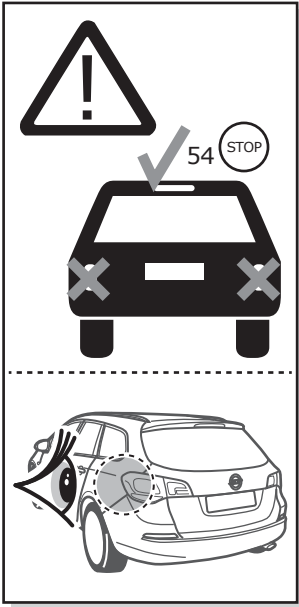


2

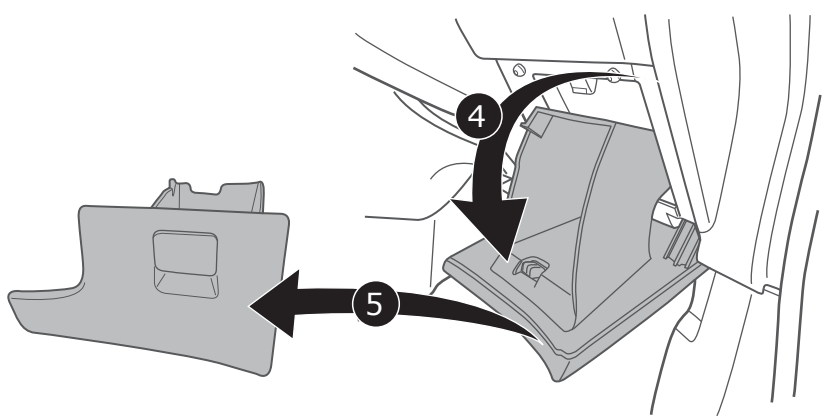
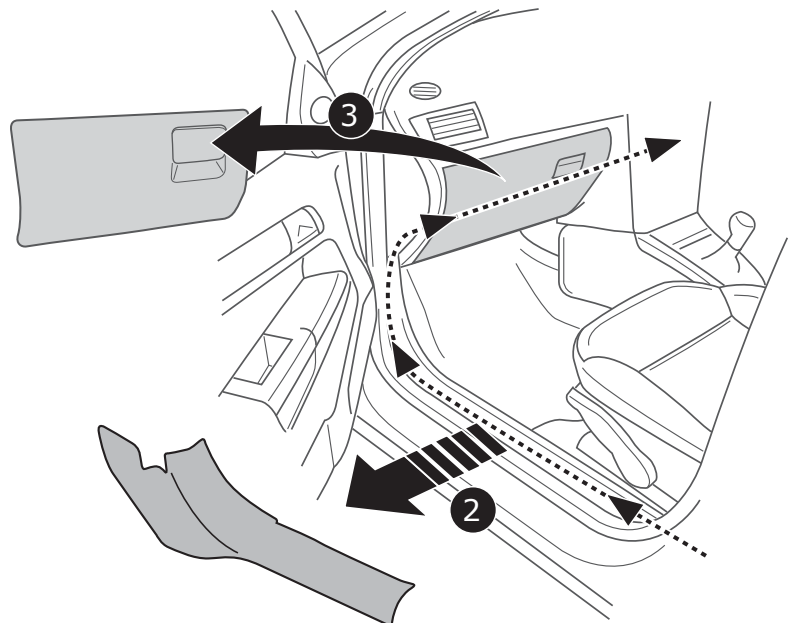
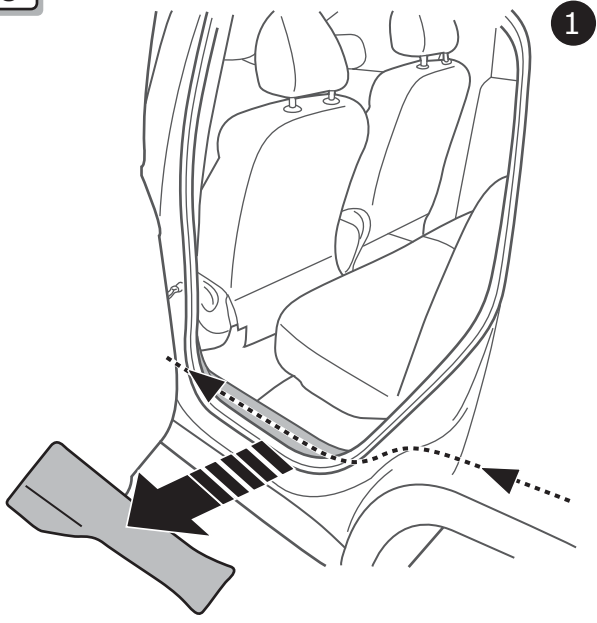




7



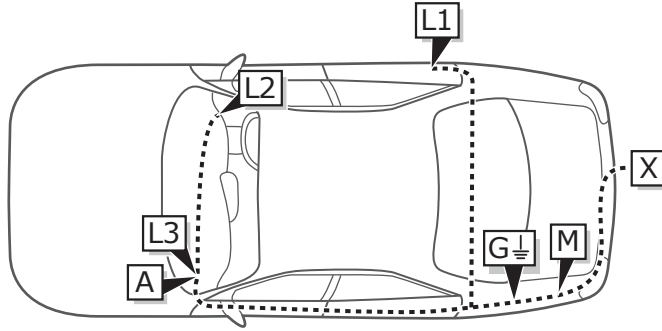
8



9



INFO



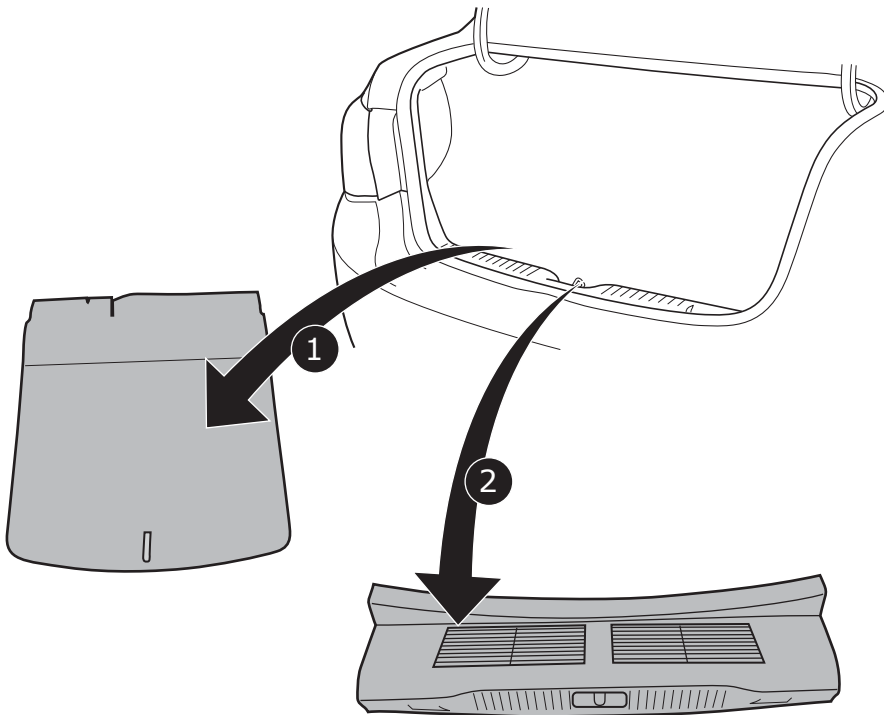
Astra SD

Pag. 13

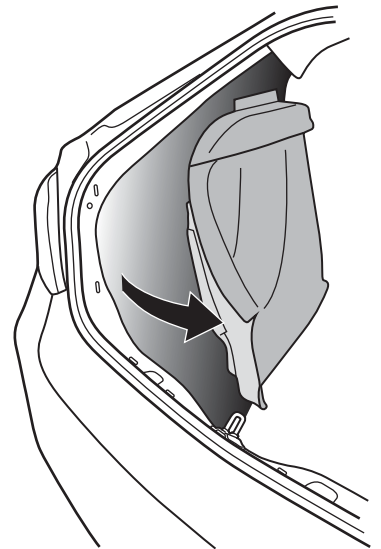
-

Pag. 15

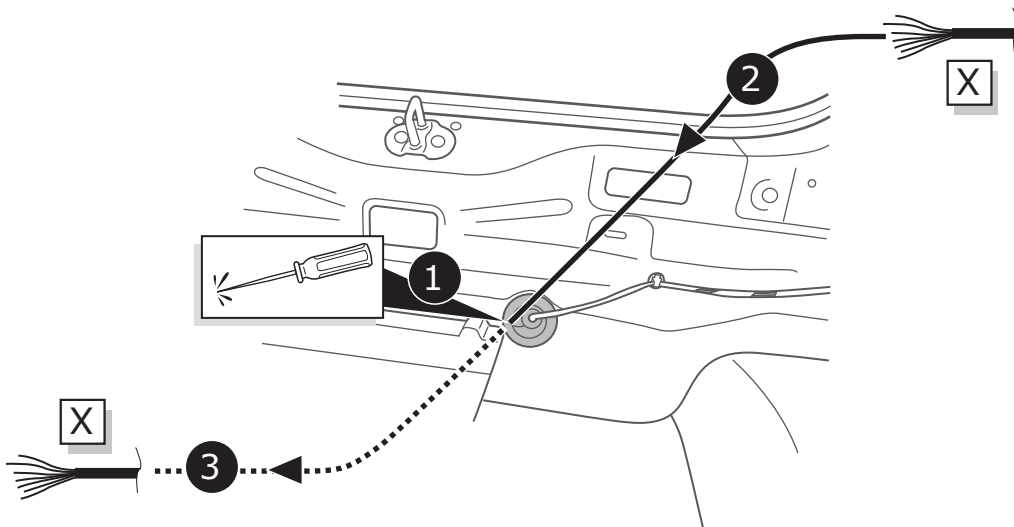
1



2



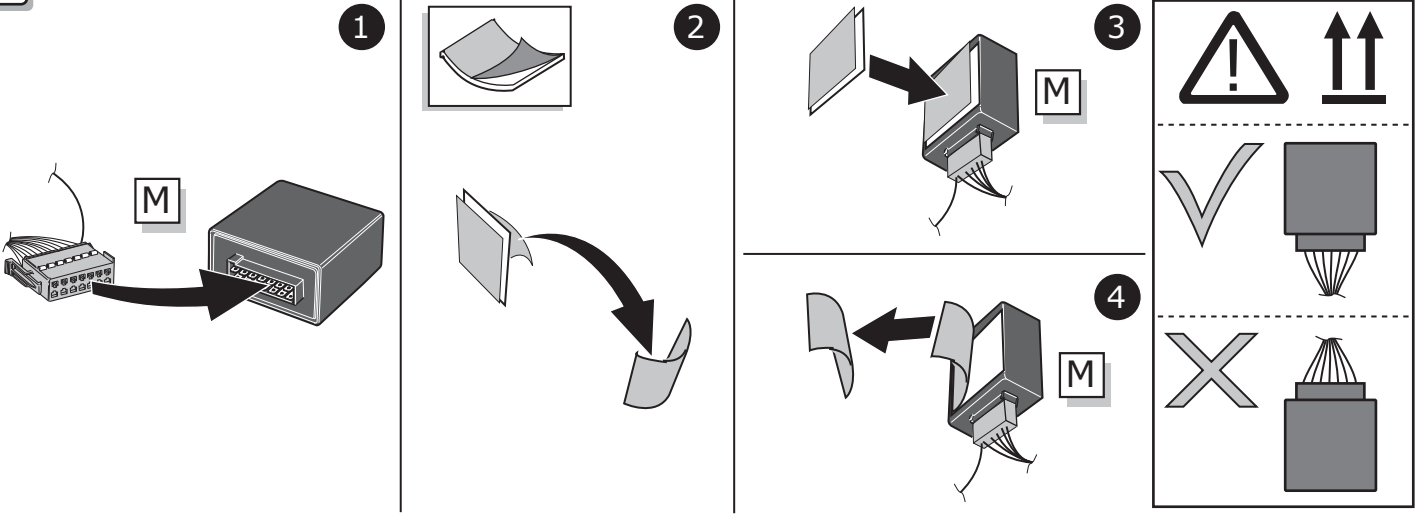
3



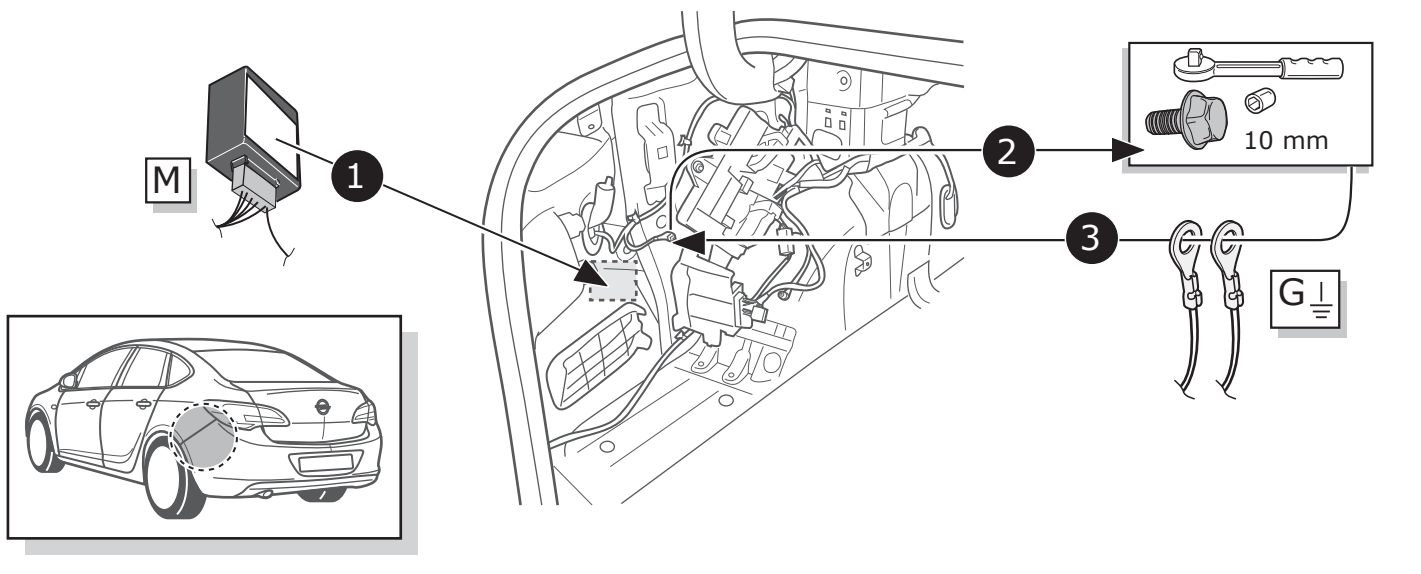
4



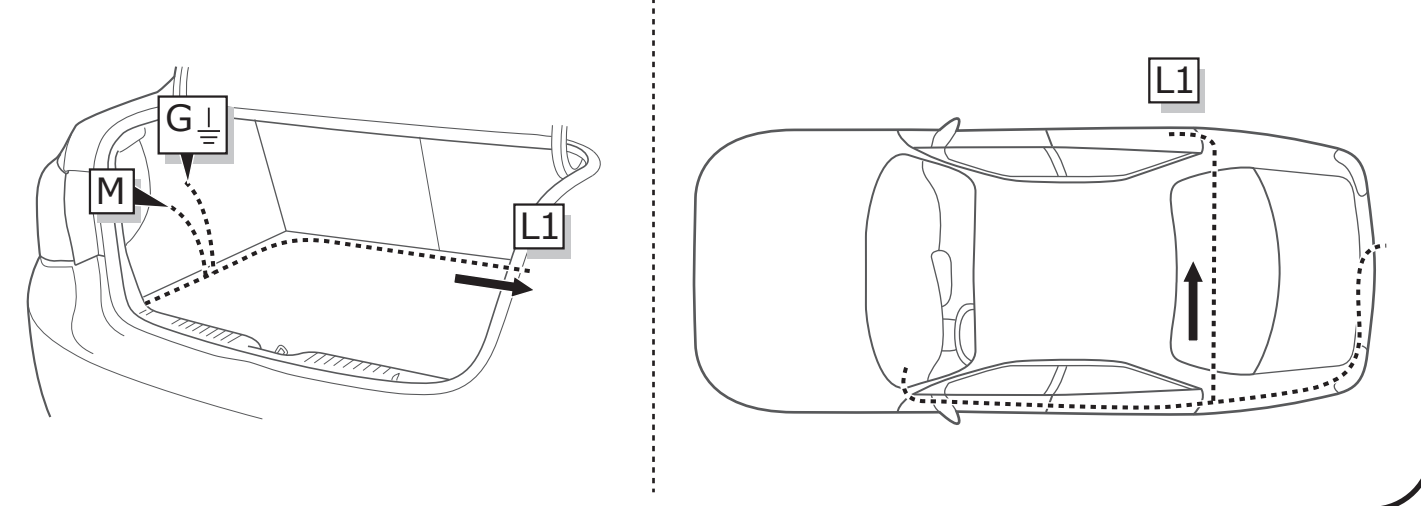
5



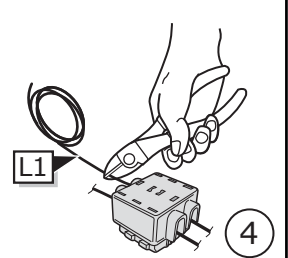
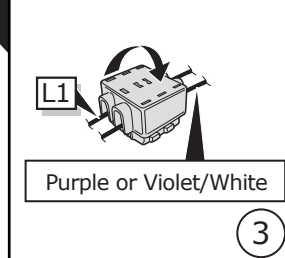
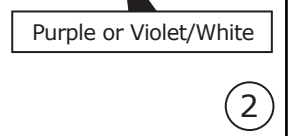
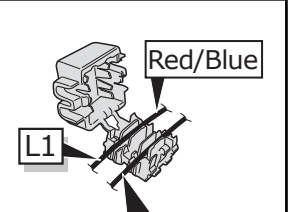
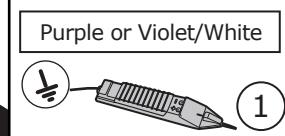
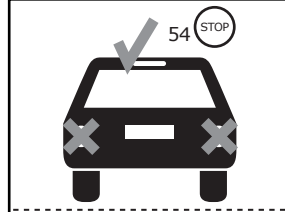
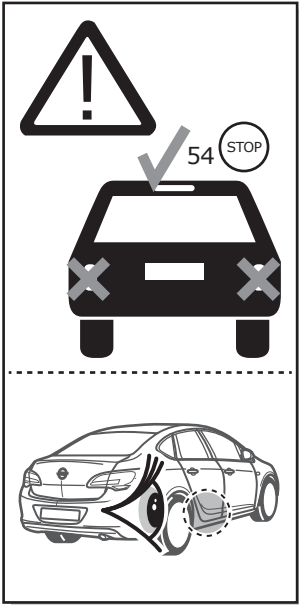
6



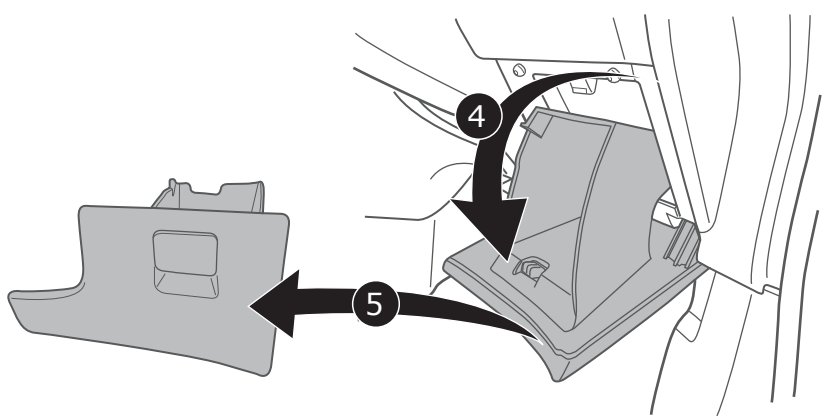
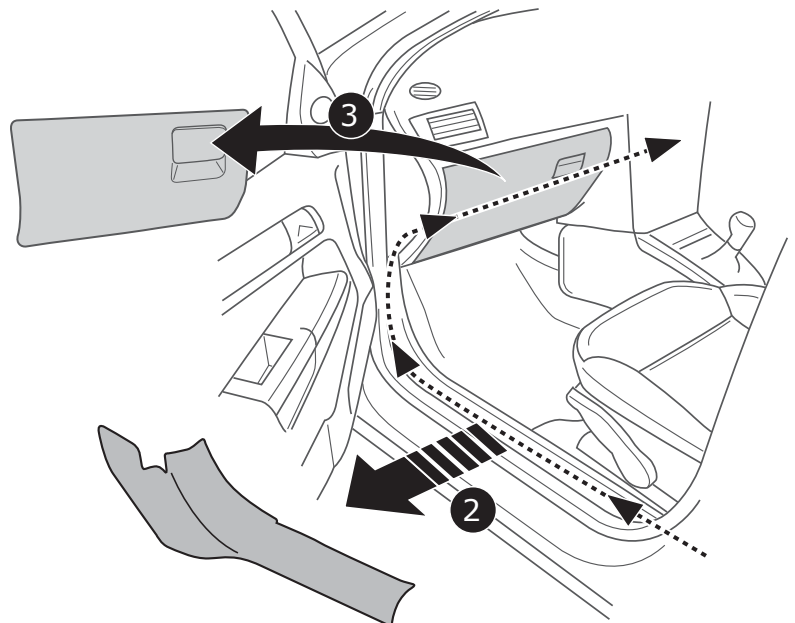
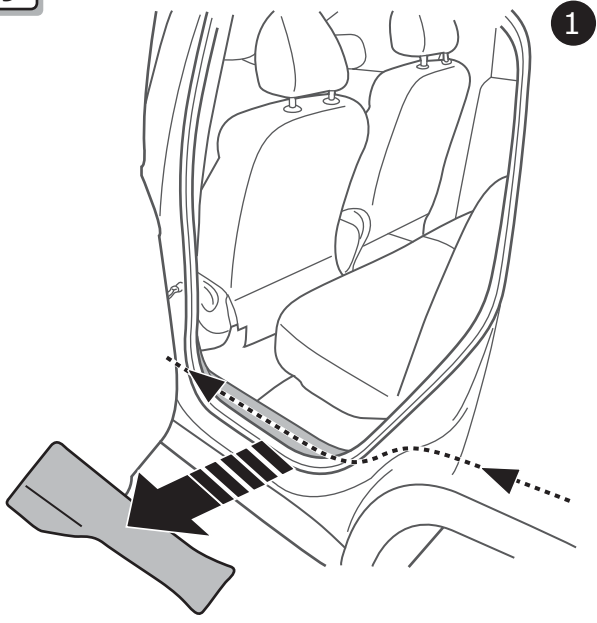
7



8



9

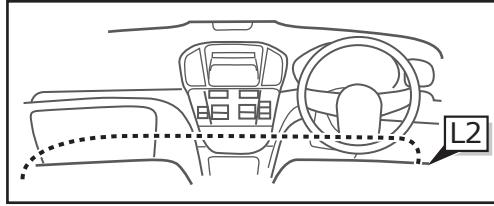
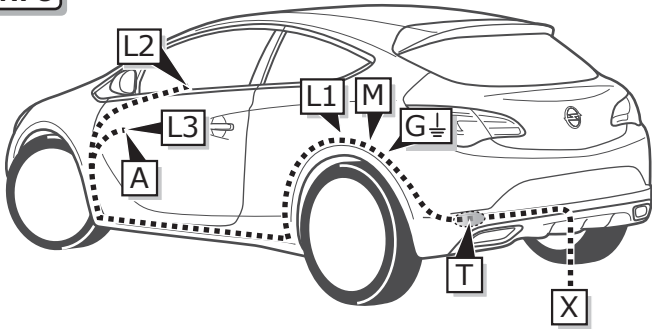


10



Pag. 23 - Pag. 24

INFO

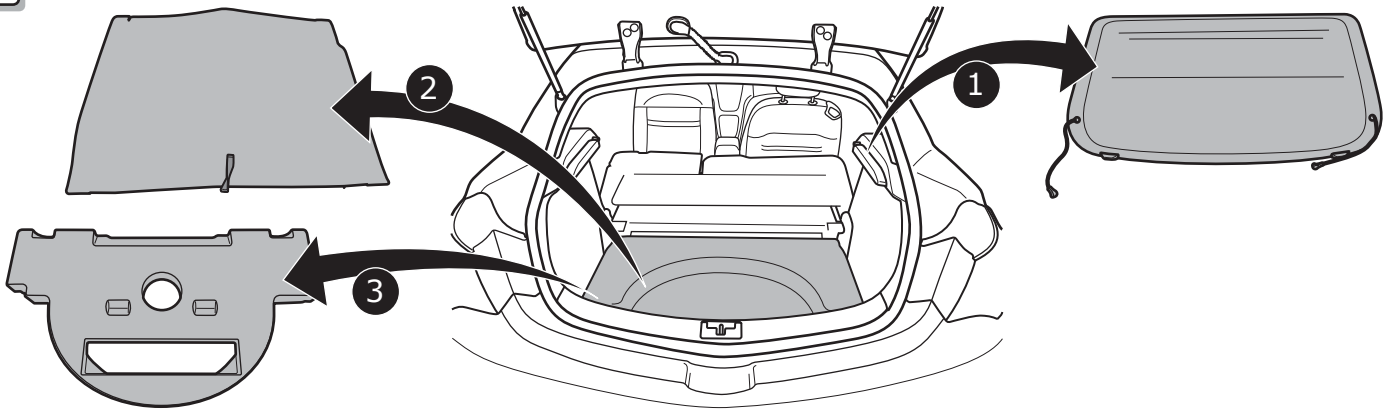


Astra GTC

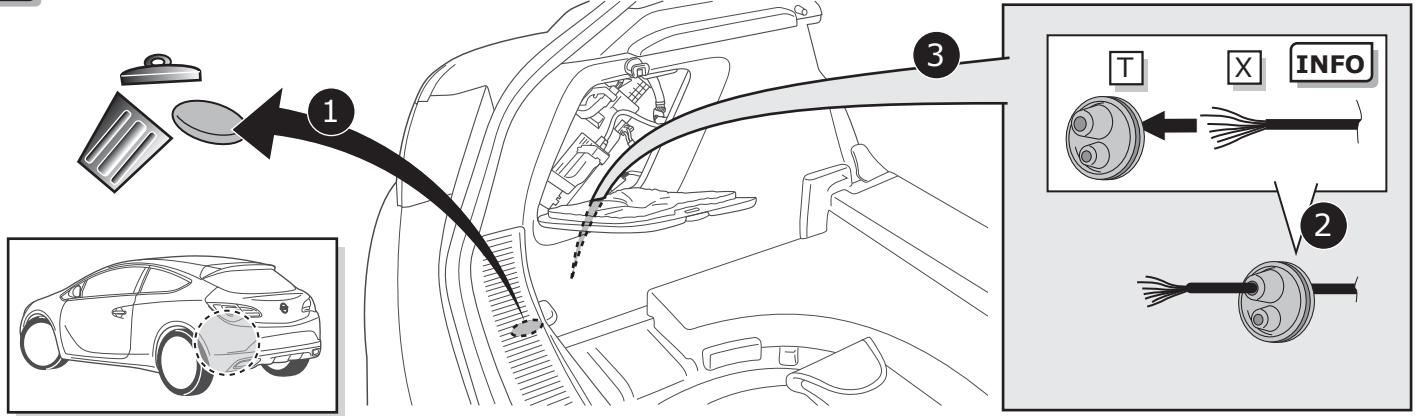
Pag. 16

Pag. 17

1



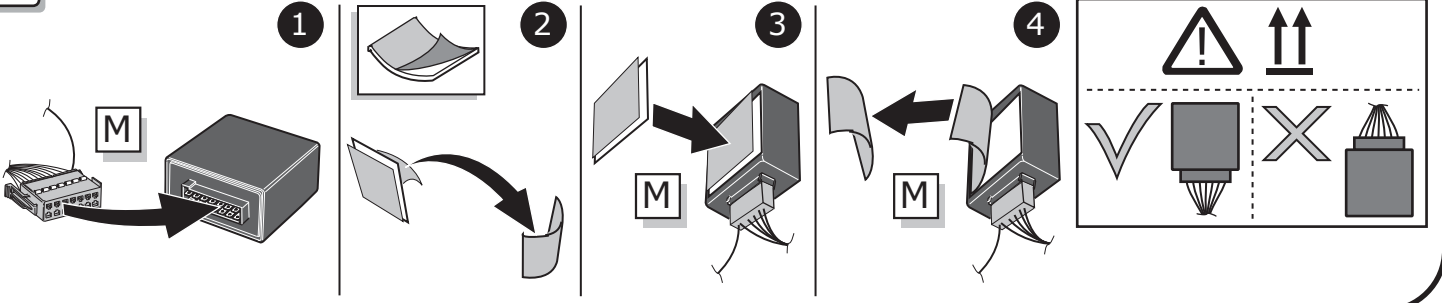
2



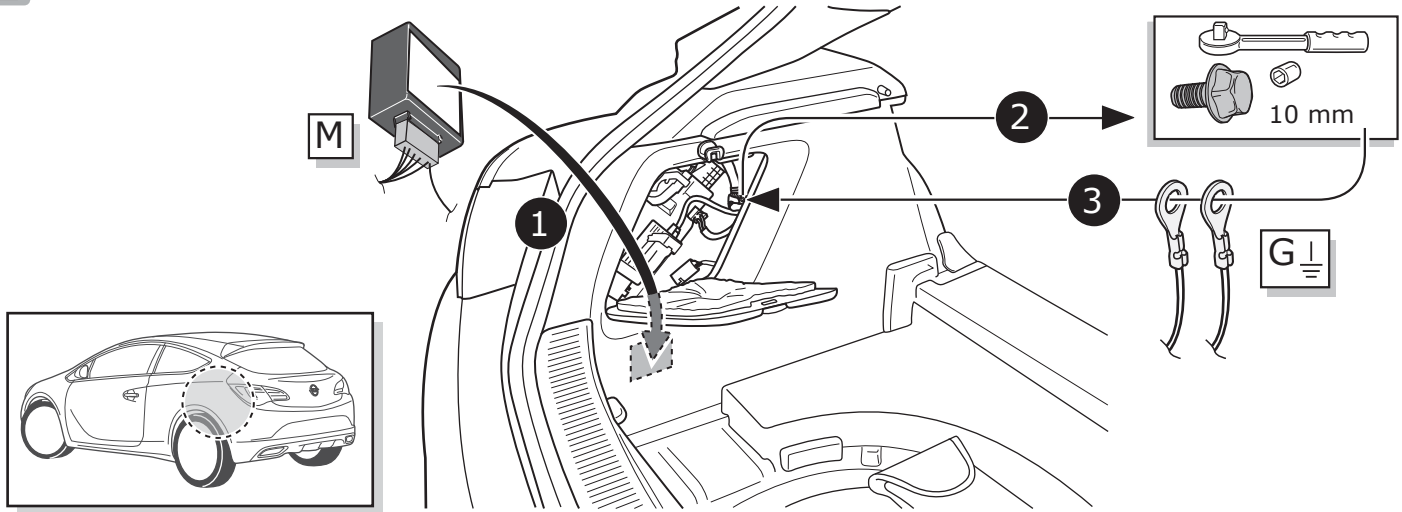
3



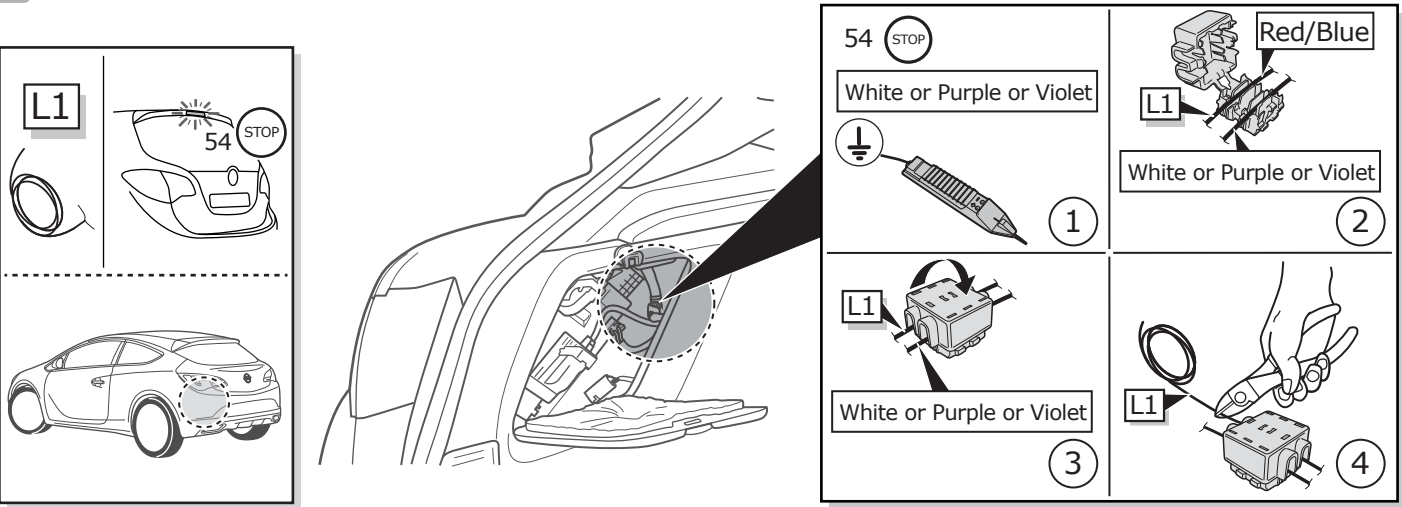
4



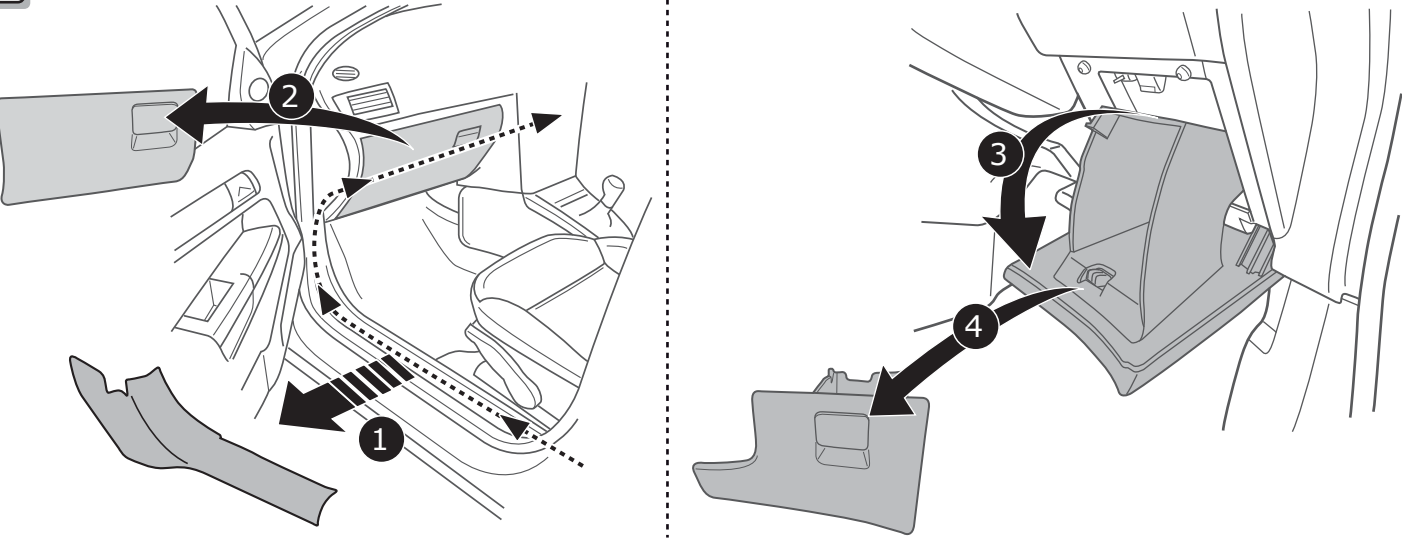
5



6



7

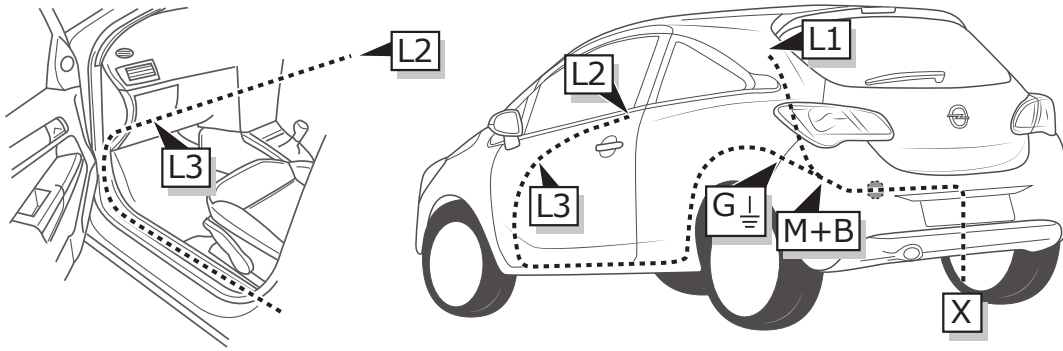


8



Corsa E

INFO

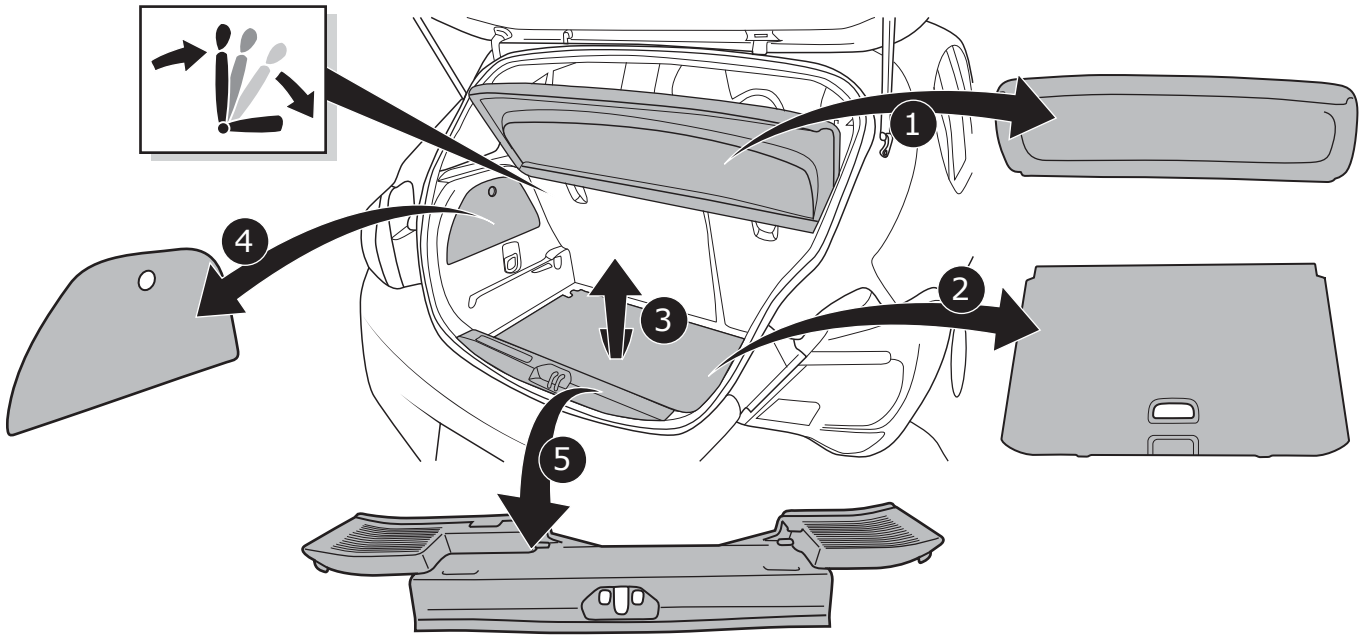


Corsa E

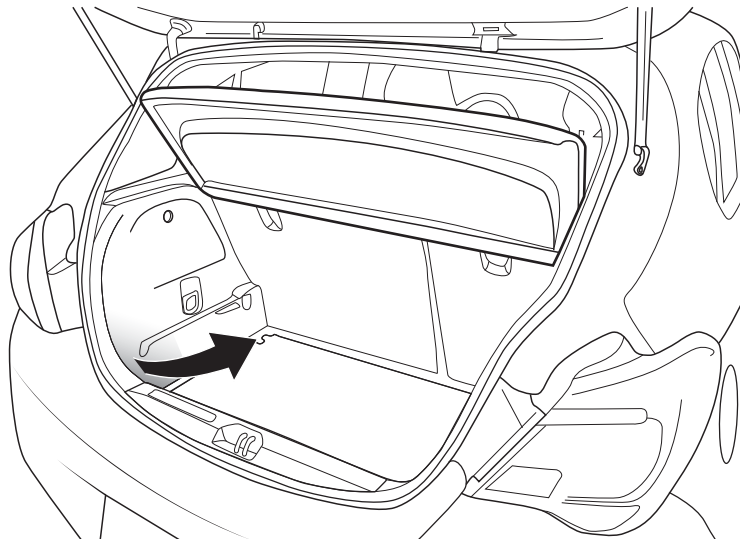
Pag. 18

-
Pag. 22

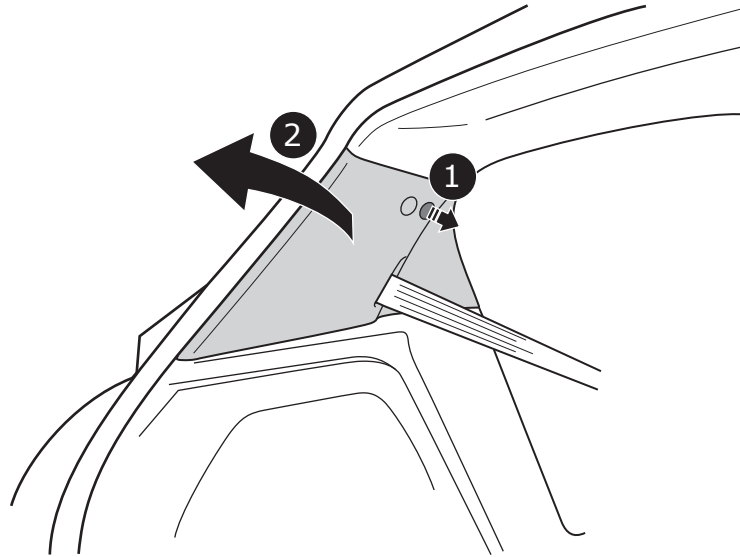
1



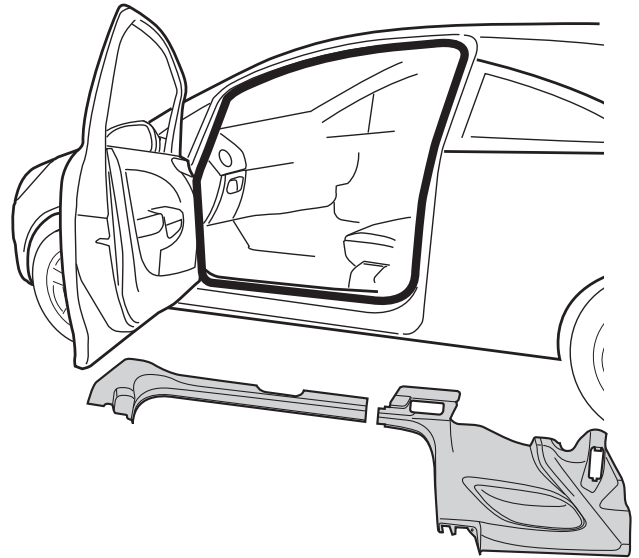
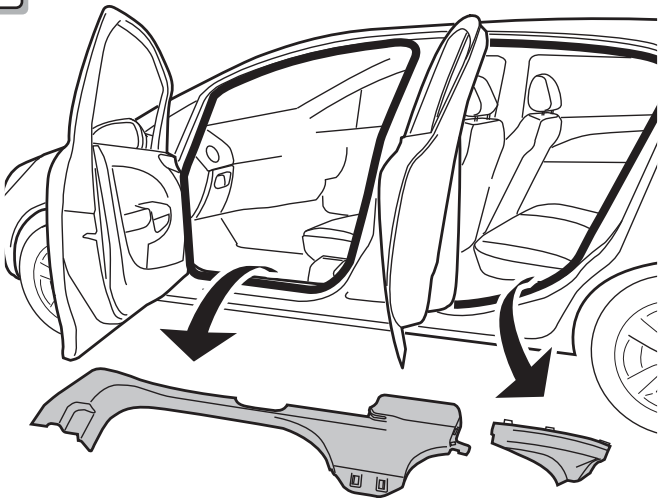
2



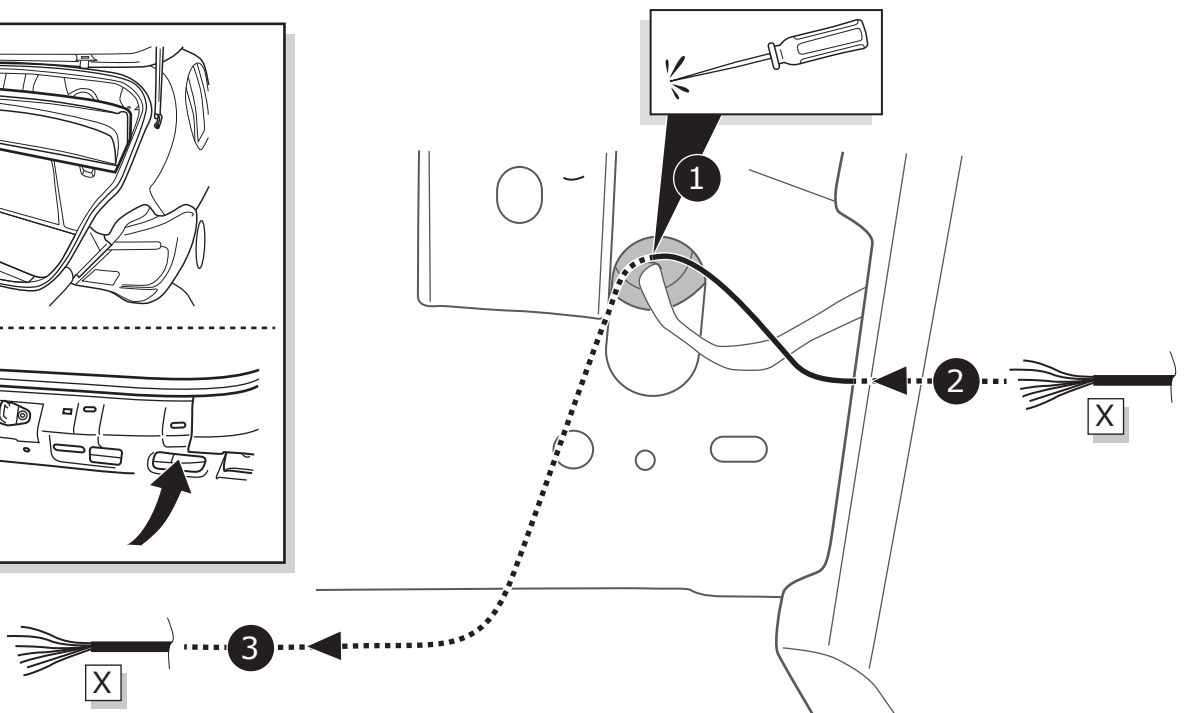
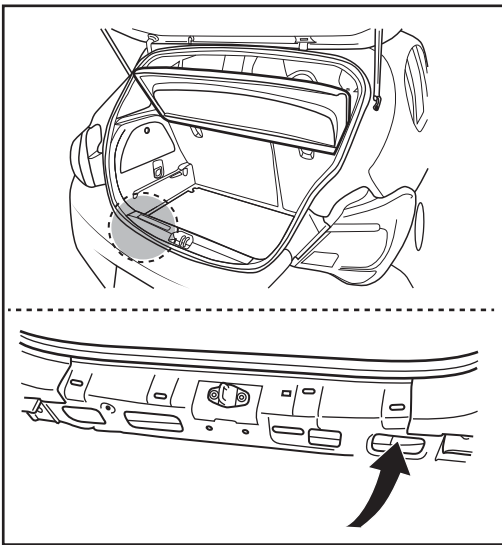
3



4



5

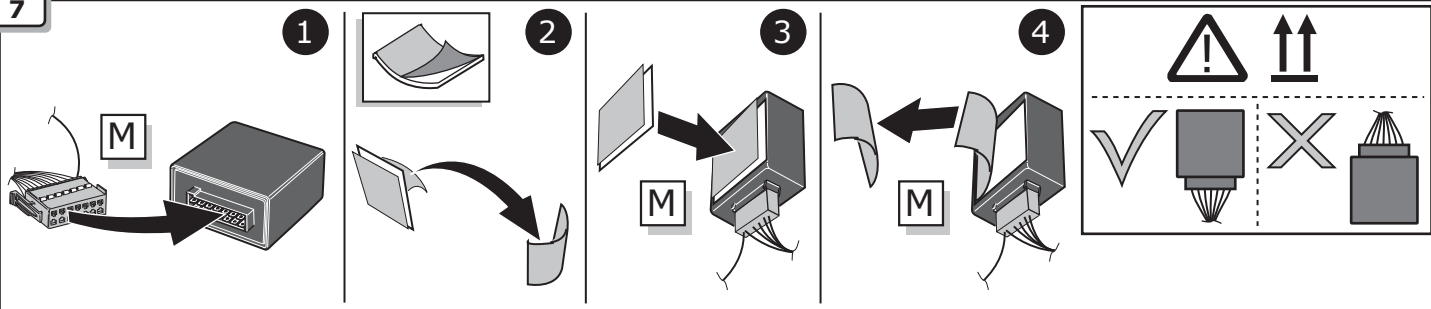


6

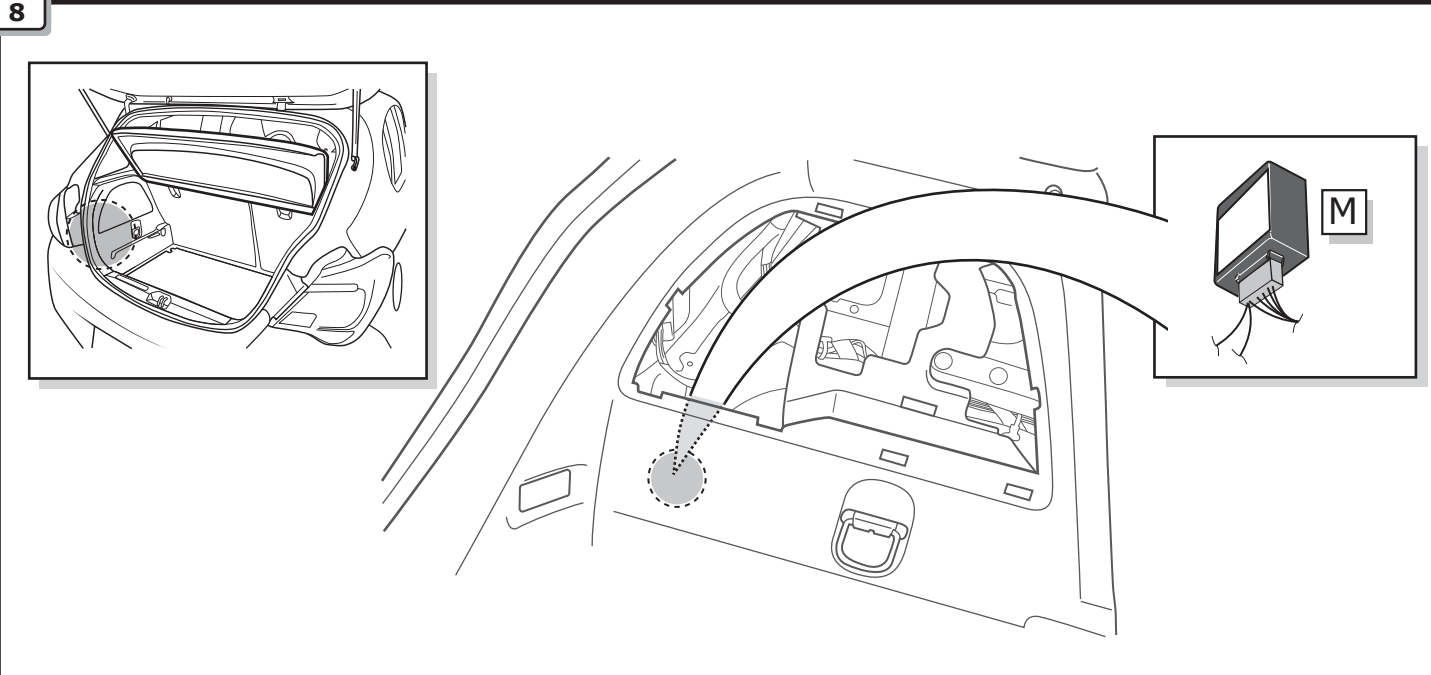


Pag. 26

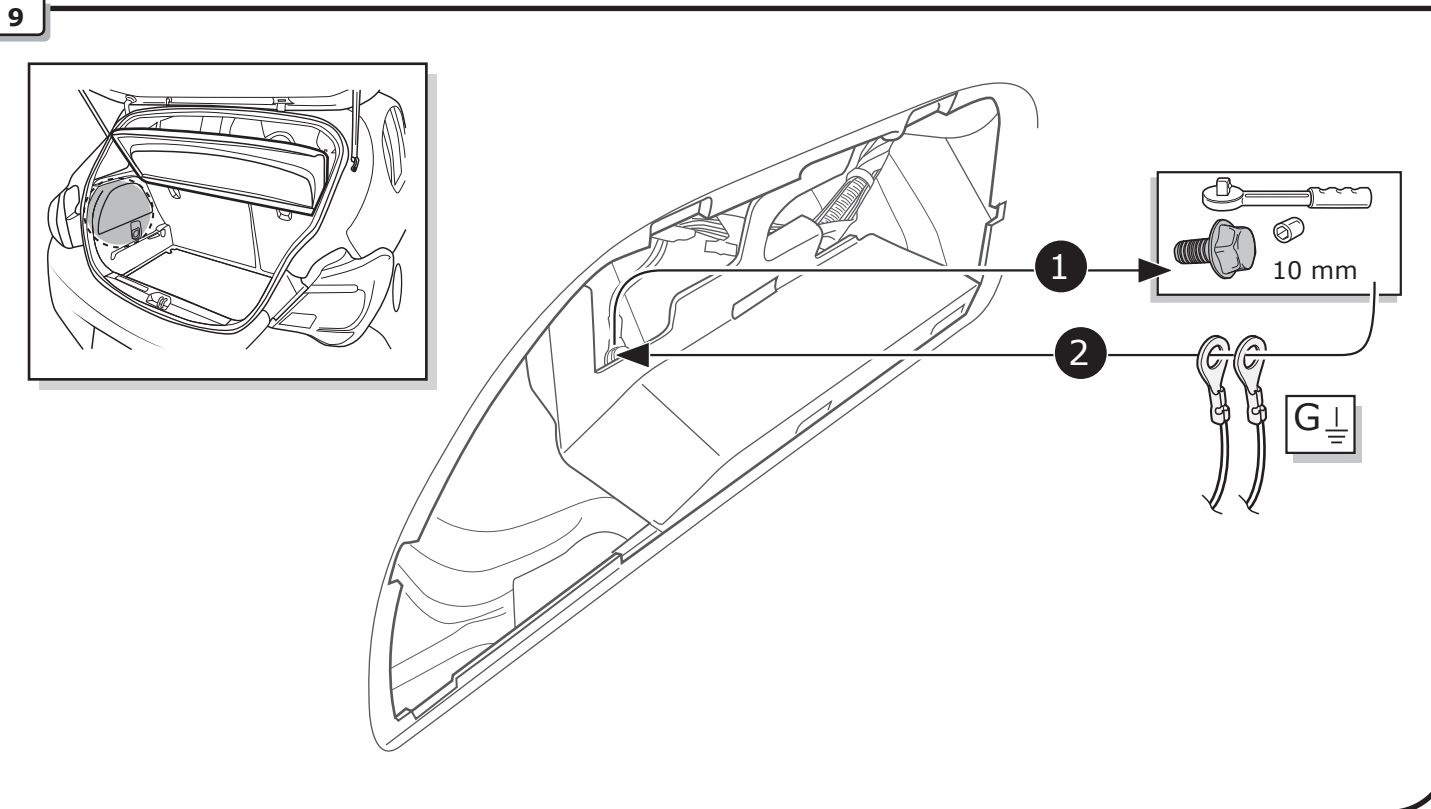
7



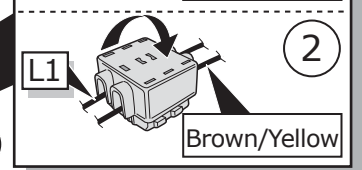
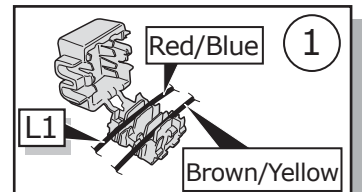
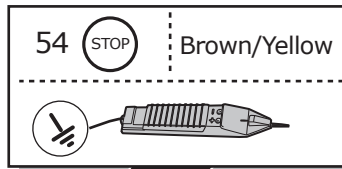
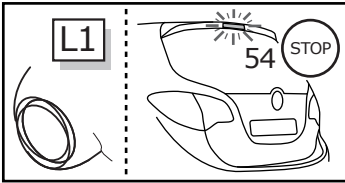
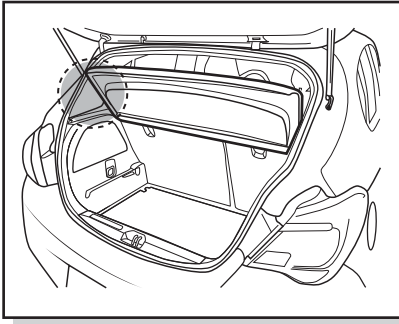
8



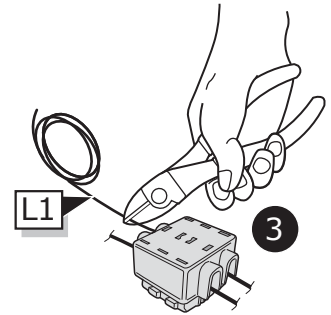
9



10

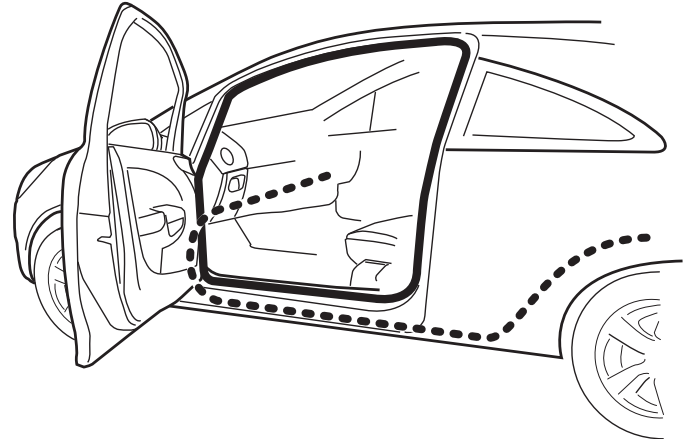
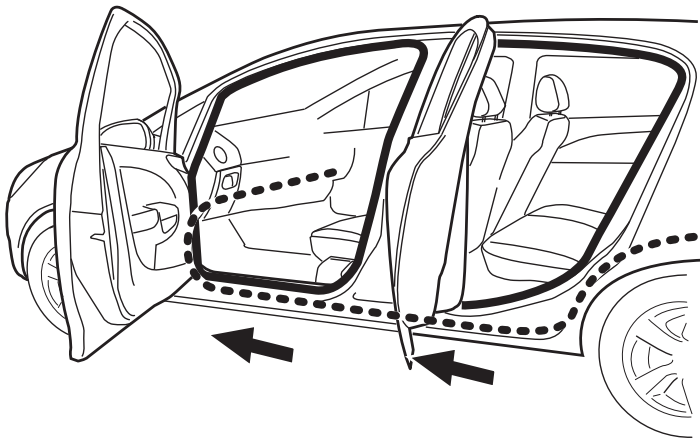


2

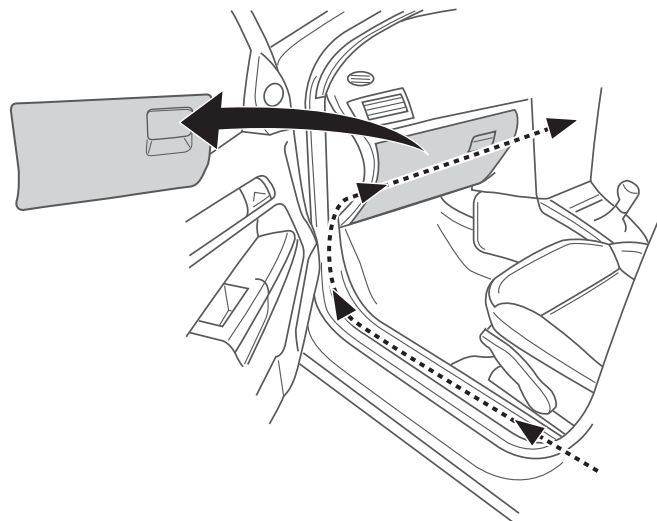
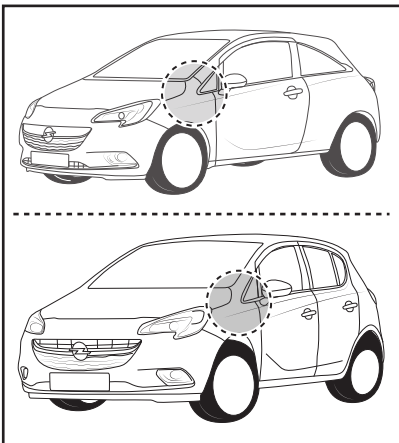


3

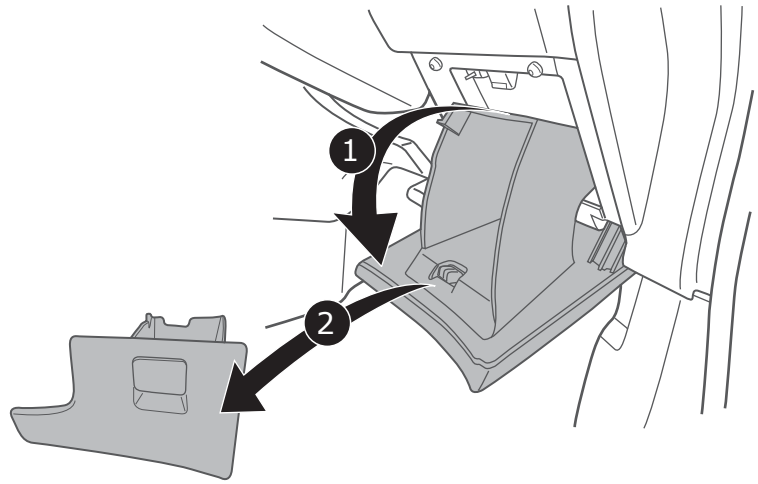
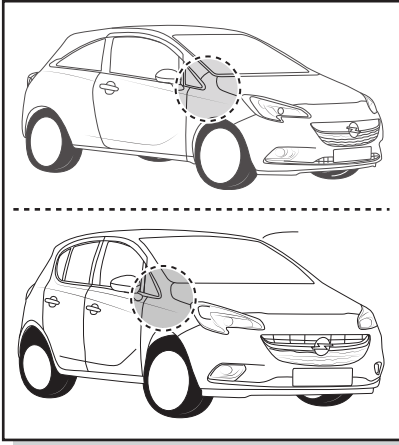
11



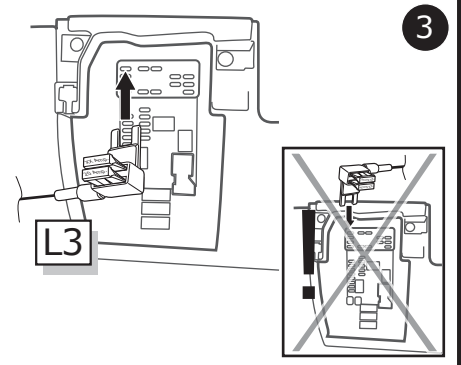
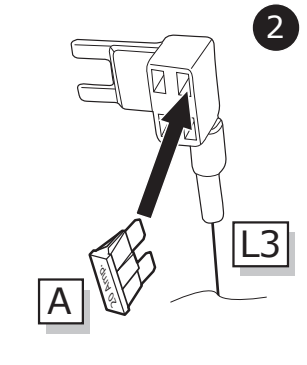
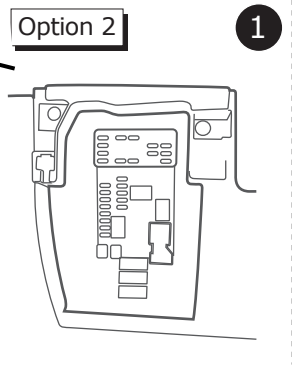
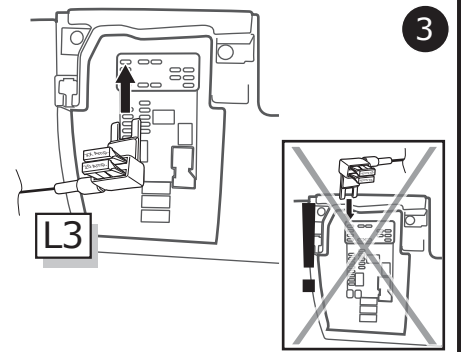
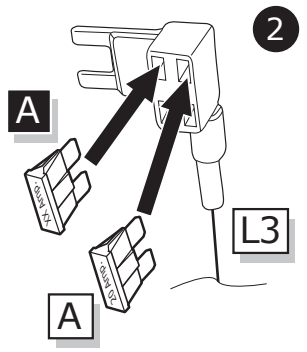
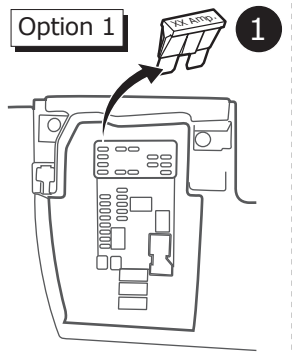
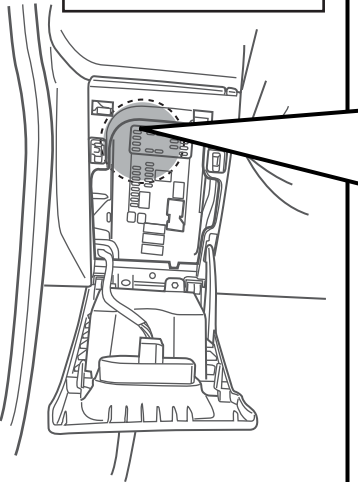
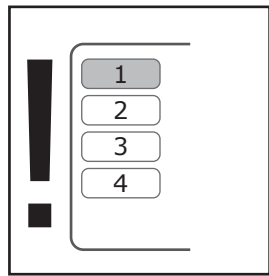
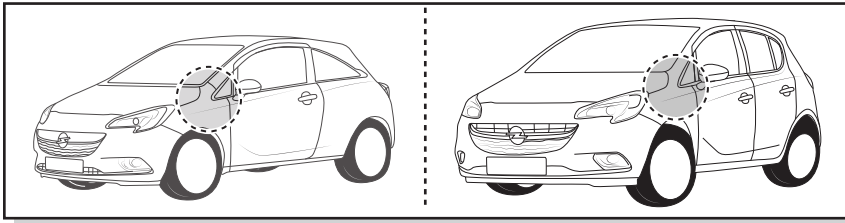
12



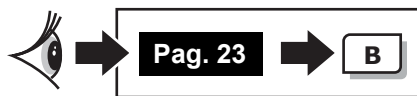
13



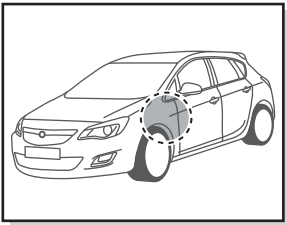
14



15

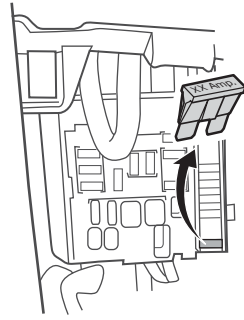


A

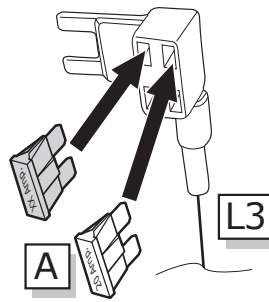


Option 1

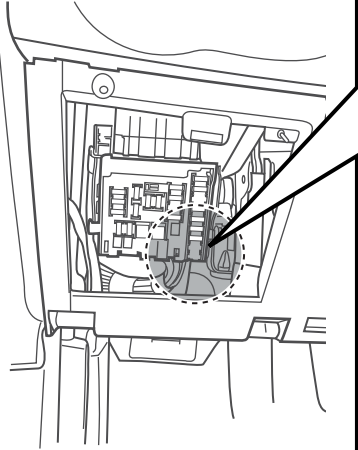
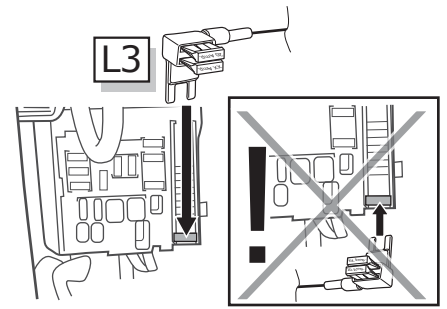
1



2

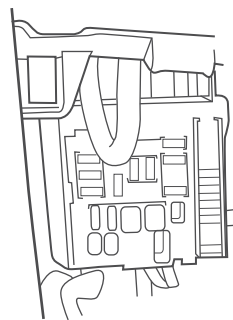


3

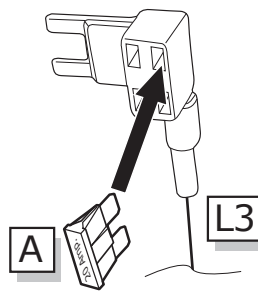


Option 2

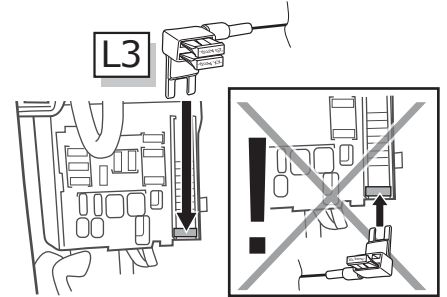
1



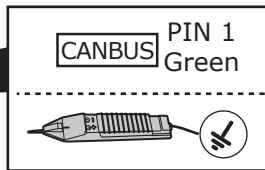
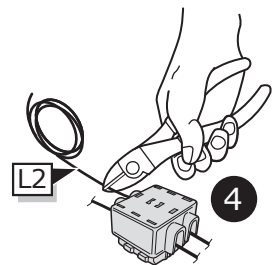
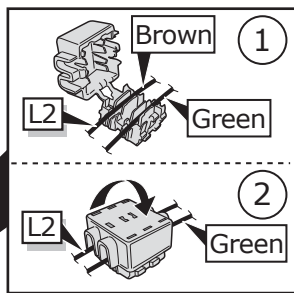
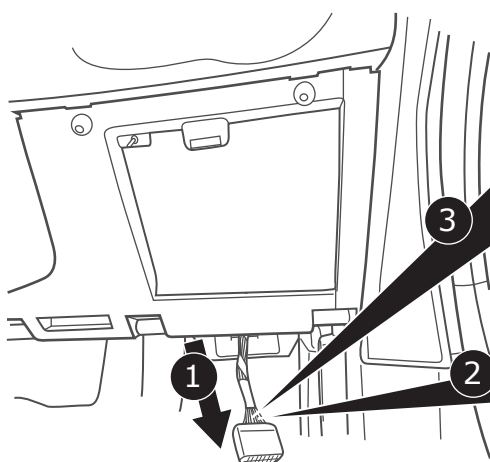
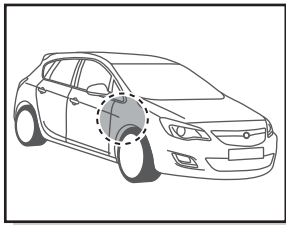
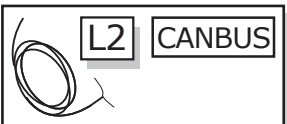
2

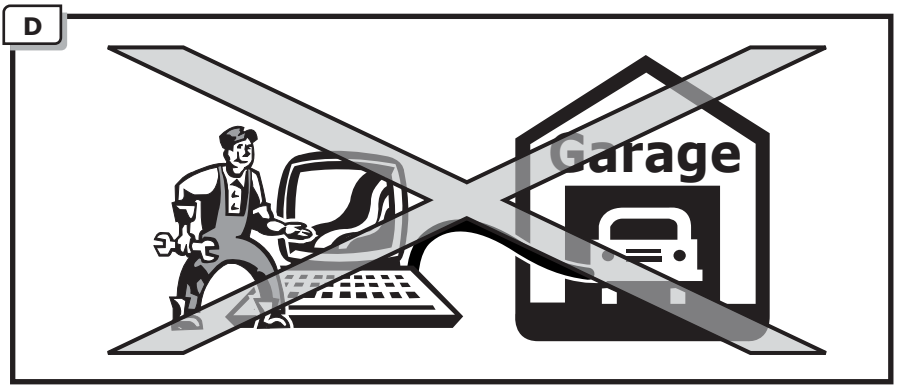
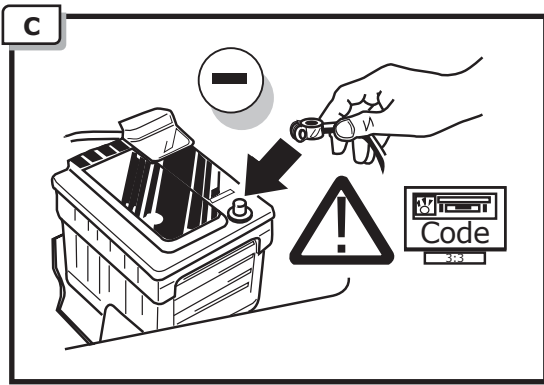


3



B



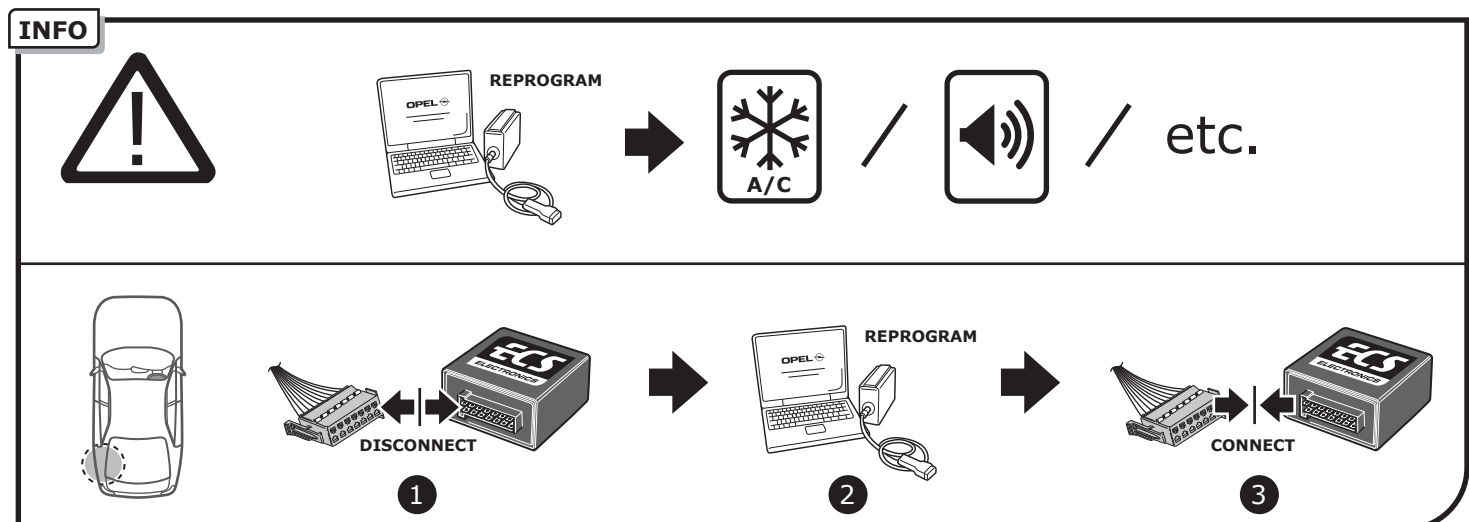
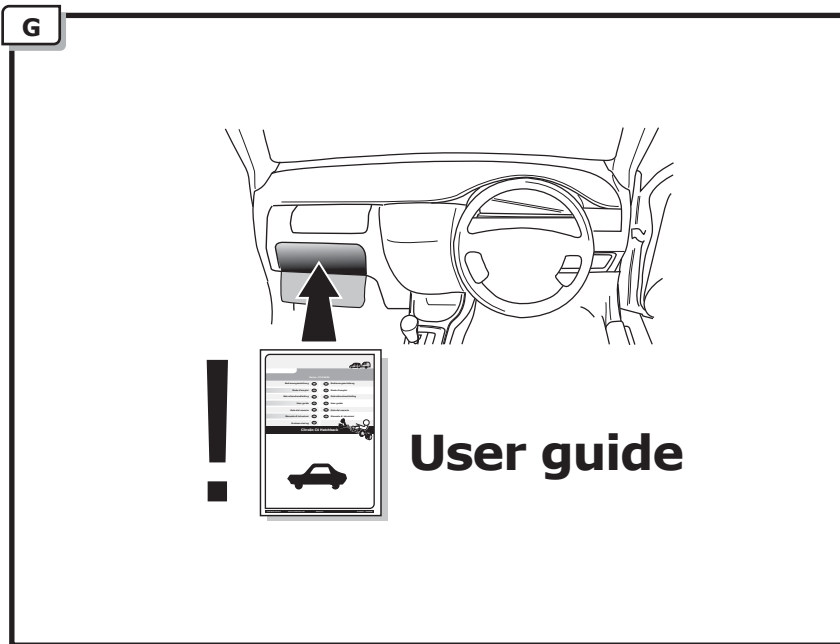


E










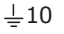

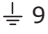
! TEST ALL THE CIRCUITS WITH A TEST DEVICE WITH THE CORRECT POWER LOAD FOR EACH FUNCTION. A TEST DEVICE WITH LED'S CANNOT BE USED FOR THIS PURPOSE.

F

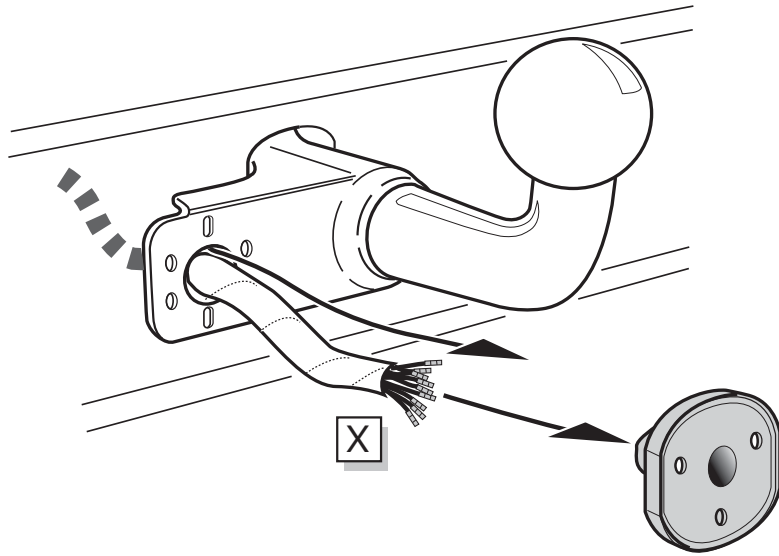
REINSTALL TRIM.



SOCKET CONNECTION

DIN/ISO 11446													
	1/L	2	3/31	4/R	5/58-R	6/54	7/58-L	8	9	10	11	12	13
Pmax	21W	21W		21W	42W	3x21W	42W	21W	180W/15Amp	180W/15Amp			
Colour	Yellow	Blue	White	Green	Brown	Red 1,00 mm ²	Black	Black/ Red	Brown/ White	Red 2,50 mm ²	White	-	White

A



INFO

SOCKET CONNECTION 

Pag. 25

B

